

**RELAYS (Relais)**

INDEX	POSITION IN MACHINE	COILS SPULEN	CONTACTS	USE		
LK	SP	GP	N°	FARBE	KONTAKTE	BEZEICHNUNG
2E	A	B	11,500	PINK	4A-2C	A RELAY
2E	B	C	11,500	"	5A-2C	K RELAY
2E	C	D	11,500	"	5A-2C	J RELAY
2E	D	E	11,500	"	5A-2C	G RELAY
4E	I	J	11,500	"	2A-2B	DOUBLE BONUS
4E	K	L	9,500	YELLOW	4A-B	BONUS SCORE
5E	L	M	9,500	"	6A	10,000 POINTS
5E	M	N	9,500	"	5A	1,000 POINTS
5E	N	O	9,500	"	3A	500 POINTS
5E	O	P	9,500	"	4A-2B	5,000 POINTS
6E	P	Q	9,500	"	5A-B	RAMP TARGET
14E	R	S	13,500	SLATE	A-2B	HOLD
14E	S	T	9,500	YELLOW	4A-4B	BALL RETURN
14E	T	U	11,500	PINK	A-2C	TILT
14E	U	V	11,500	"	3A-2B-C	EXTRA BALL
14E	V	W	9,500	YELLOW	4A-B	BEGINNING BALL
14E	W	X	9,500	"	3A-2B-3C	1ST. COIN CHUTE
14E	X	Y	9,500	"	2A-B-3C	3RD. COIN CHUTE
14E	Y	Z	9,500	"	2A	3RD. & 4TH. PLAYER RESET
11E	CT	1	9,500	"	5A-B	1ST. & 2ND. PLAYER RESET
11E	CS	2	9,500	"	6A-B	3RD. & 4TH. PLAYER RESET
11E	LT	3	107,950	"	2 DISC.	2 DISC.

**BANK (Bankrelais)**

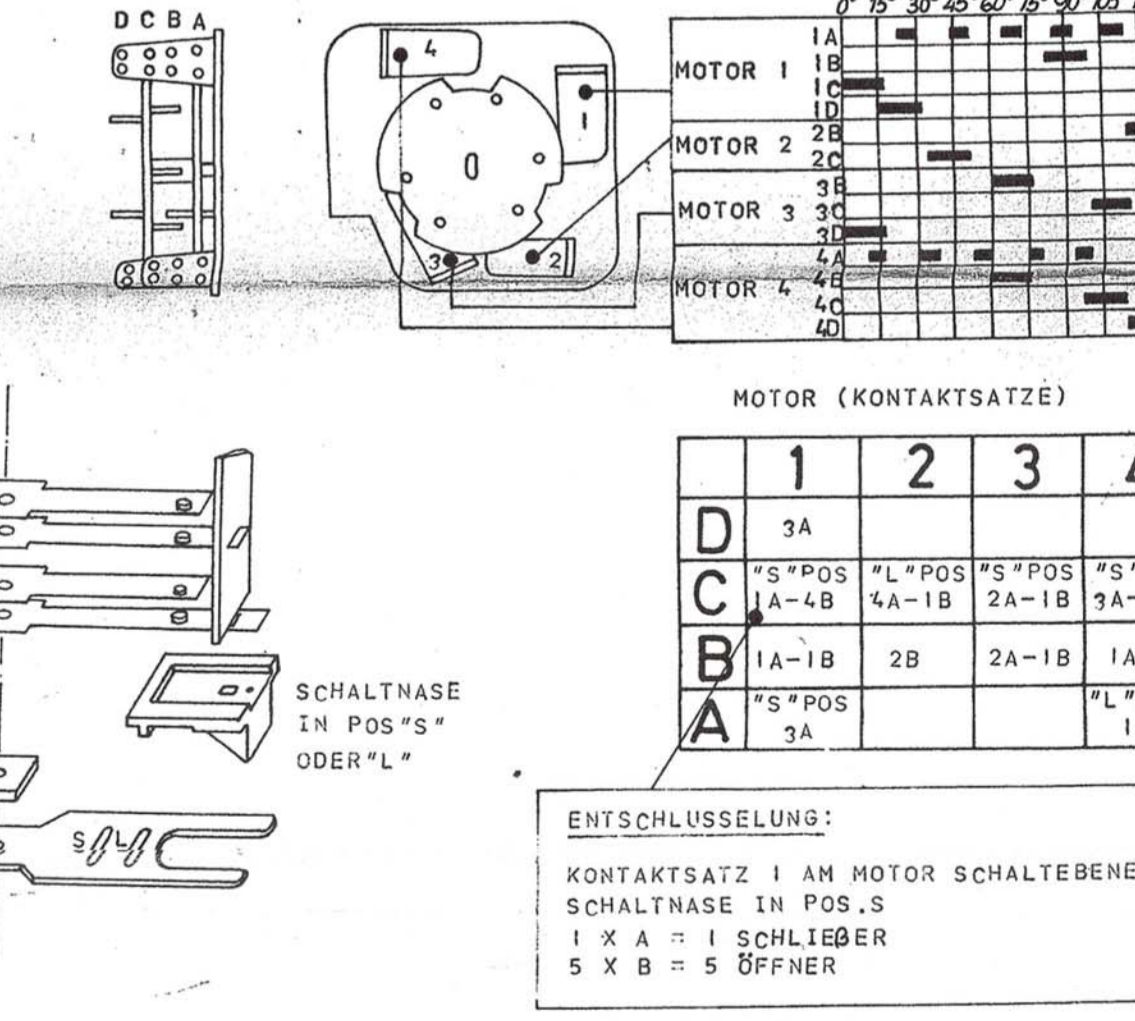
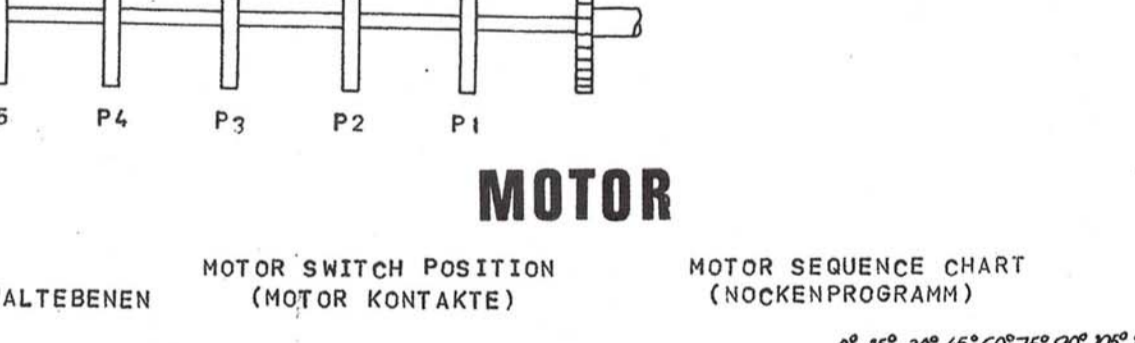
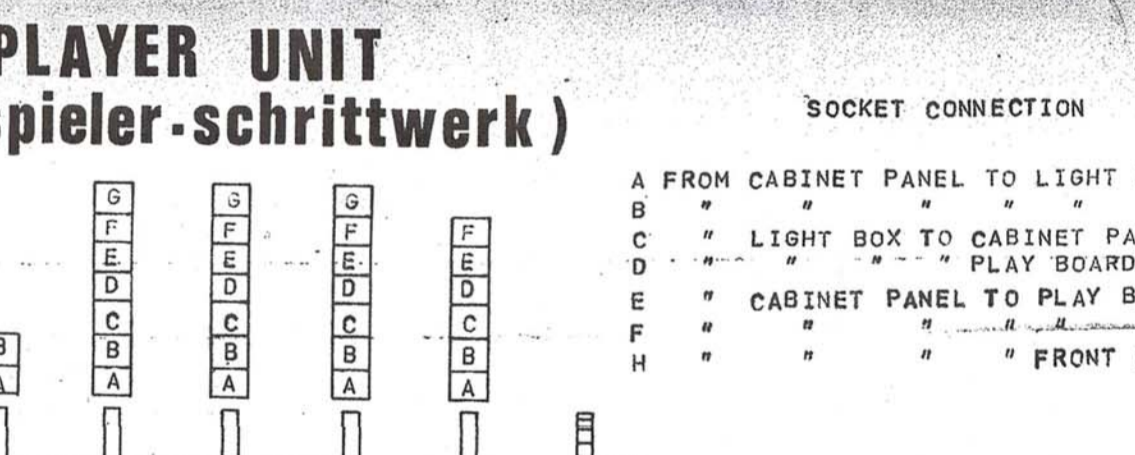
14F	J3	9,500	YELLOW	3A	1ST. PLAYER
14E	J4	9,500	"	3A-B	3RD. PLAYER
14E	J5	9,500	"	2A-2B	4TH. PLAYER
14E	J6	9,500	"	2A-2B-C	FRAME OVER
14E	J7	9,500	"	5A-B	LAST BALL
14E	PH2	9,500	"	2A-3B	2ND. RESET CONTROL
14E	PH1	9,500	"	2A	1ST. RESET CONTROL

**Other coils used (übrige spulen)**

INDEX	DESCRIPTION	BESCHREIBUNG
1H	LEFT FLIPPER COIL	LINKER FLIPPER SPULE
1H	RIGHT FLIPPER COIL	RECHTER FLIPPER SPULE
1F	LEFT KICKING RUBBER COIL	LINKER KICKER SPULE
1F	RIGHT KICKING RUBBER COIL	RECHTER KICKER SPULE
1F	LEFT BUMPER COIL	LINKER BUMPER SPULE
1F	RIGHT BUMPER COIL	RECHTER BUMPER SPULE
4E	ADD. BONUS COIL	ZUSÄTZLICHE BONUS SPULE
15E	ADD. REPLY COIL	ZUSÄTZLICHE ANWARTUNG SPULE
BE-RE	SCORING UNIT COILS	PUNKTZAHLUNGSSPULEN
14E	SUBTRACT BONUS COIL	ABZUG BONUS SPULE
15E	SUBTRACT REPLAY COIL	ABZUG ANWARTUNG SPULE
14F	TOTAL PLAY METER COIL	GESAMTSPIELMETER SPULE
11E	MOTOR	MOTOR
11E	PLAYERS UNIT COIL	SPIELERZEICHEN SPULE
15E	BALL RETURN COIL	BALLRÜCKSPULE
15E	COIN LOCK OUT COIL	MÜNZENSPERRSPULE
15E	BANK COIL	BANKSPULE
15E	TRANSFORMER	TRANSFORMATOR
14F	BELL CHIME COIL	GLOCKENSPULE
15E	KNOCKER COIL	KLOPFERSPULE

**FUSES (Sicherungen)**

INDEX	POSITION IN MACHINE	USE	
LK	SP	GP	BEZEICHNUNG
17H	17I	10AMP.	PRIMARY
16H	16I	10AMP.	27V. 10V. 32V.
16H	16I	10AMP.	BANK
11B	11C	10AMP.	PROTECTING PRINTED CIRCUITS
11B	11C	10AMP.	DIRECT CURRENT
6D	6E	10AMP.	COIN CHUTE ILLUMINATION
6D	6E	10AMP.	PLAYERS SCORE REPLAY & REPLAYS
6D	6E	10AMP.	NAME & SCENE ILLUMINATION
6D	6E	10AMP.	PLAYBOARD ILLUMINATION
6D	6E	10AMP.	LT 000-000



**WIRING DIAGRAM SYMBOLS (Schaltzeichen)**

- COIL = SPULEN
- RELAYS = RELAIS
- LAMP = LAMPE
- FUSE = SICHERUNG
- RESISTOR = WIDERSTAND
- SCHLEIBER = SCHLEIBER
- OPEN = OFFNER
- CLOSED = ÖFFNER
- REV. SW. = UMSCHALTER
- MOTOR = MOTOR
- SWITCH = KONTAKT
- DIODE = GLEICHRICHTER

**CODE OF COLORS (Farbkurzungen)**

- BLU = BLUE = BLAU
- BRN = BROWN = BRAUN
- BLK = BLACK = SCHWARZ
- GRN = GREEN = GRÜN
- ORG = ORANGE = ORANGE
- PKW = PINK = ROSA
- RED = RED = ROT
- SLT = SLATE = HELLGRAU
- PUR = PURPLE = VIOLETT
- WHT = WHITE = WEISS
- YEL = YELLOW = GELB

