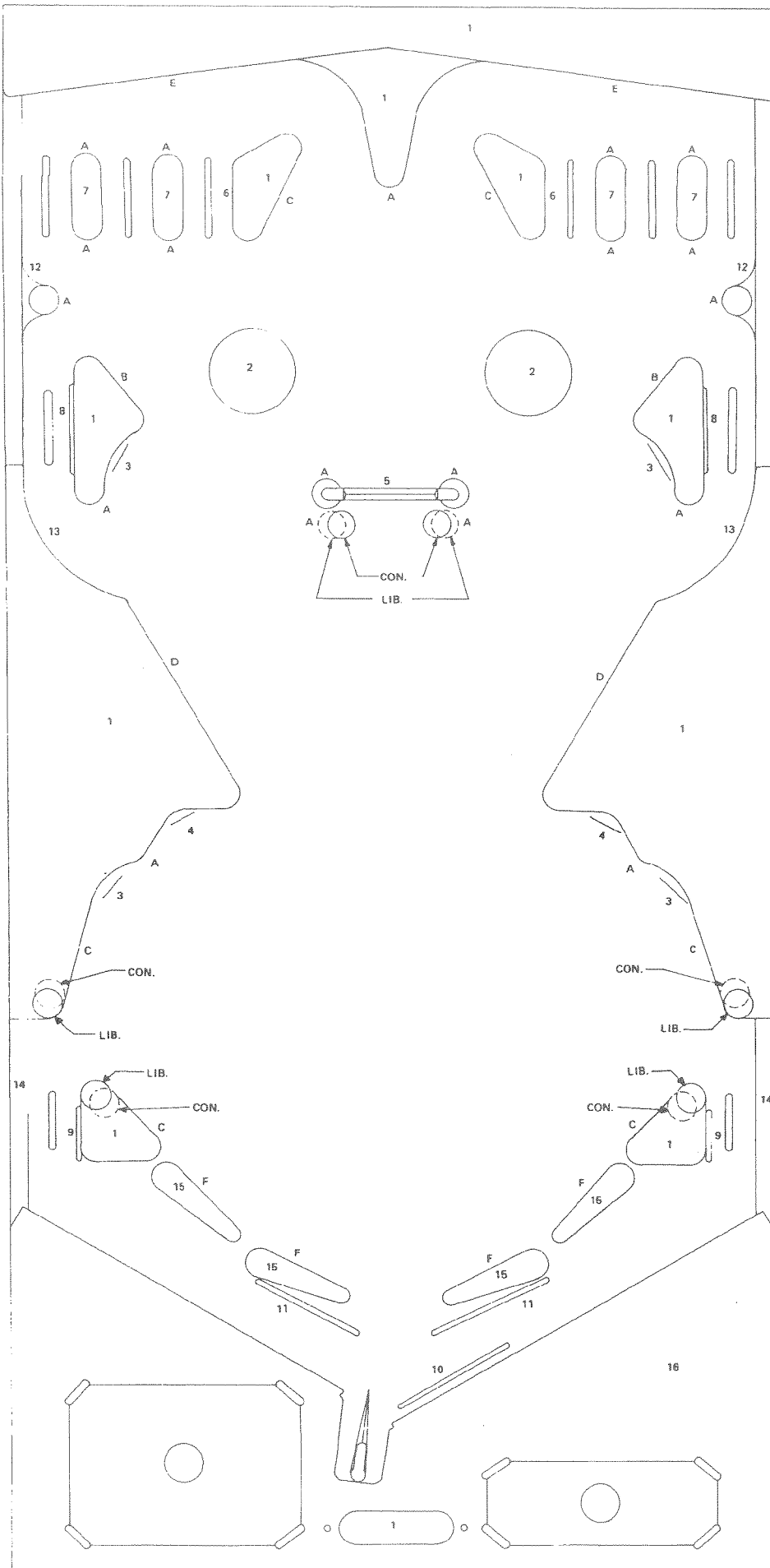


PRO FOOTBALL



PLAYBOARD INFORMATION

RUBBER RINGS

A --	A-10217	(19)
B --	A-10219	(2)
C --	A-10220	(6)
D --	A-10223	(2)
E --	A-10224	(2)
F --	A-13151	(4)

PARTS LIST

1. C-14266 Plastic Shield Set.
2. Blue Pop Bumper A-13904, White Cap A-11826 in Red.
3. A-14273 Football Target (B-9591 Target & Switch Assem.)
4. B-11535 Vari-Target Arm & Cam.
5. A-14286 Football Spinning Target.
6. A-9393 White Plastic Guide Rail.
7. A-9394 White Plastic Guide Rail.
8. A-3722 Ball Guide Rail - Wire Form.
9. A-6931 Ball Guide Rail - Wire Form.
10. A-13696 Ball Guide Rail - Wire Form.
11. A-13798 Ball Snubber - Wire Form.
12. A-12127 Metal Flat Rail.
13. A-14267 Metal Flat Rail.
14. B-14880 Wood Side Rail.
15. C-13150 Flipper.
16. E-14910 Card Holder.

C-11561 Plastic Post
 1" High (43) White
 (4) Purple

LIB. = LIBERAL.
 CON. = CONSERVATIVE.

JACK IN THE BOX JUMPING JACK

PLAYBOARD INFORMATION

RUBBER RINGS

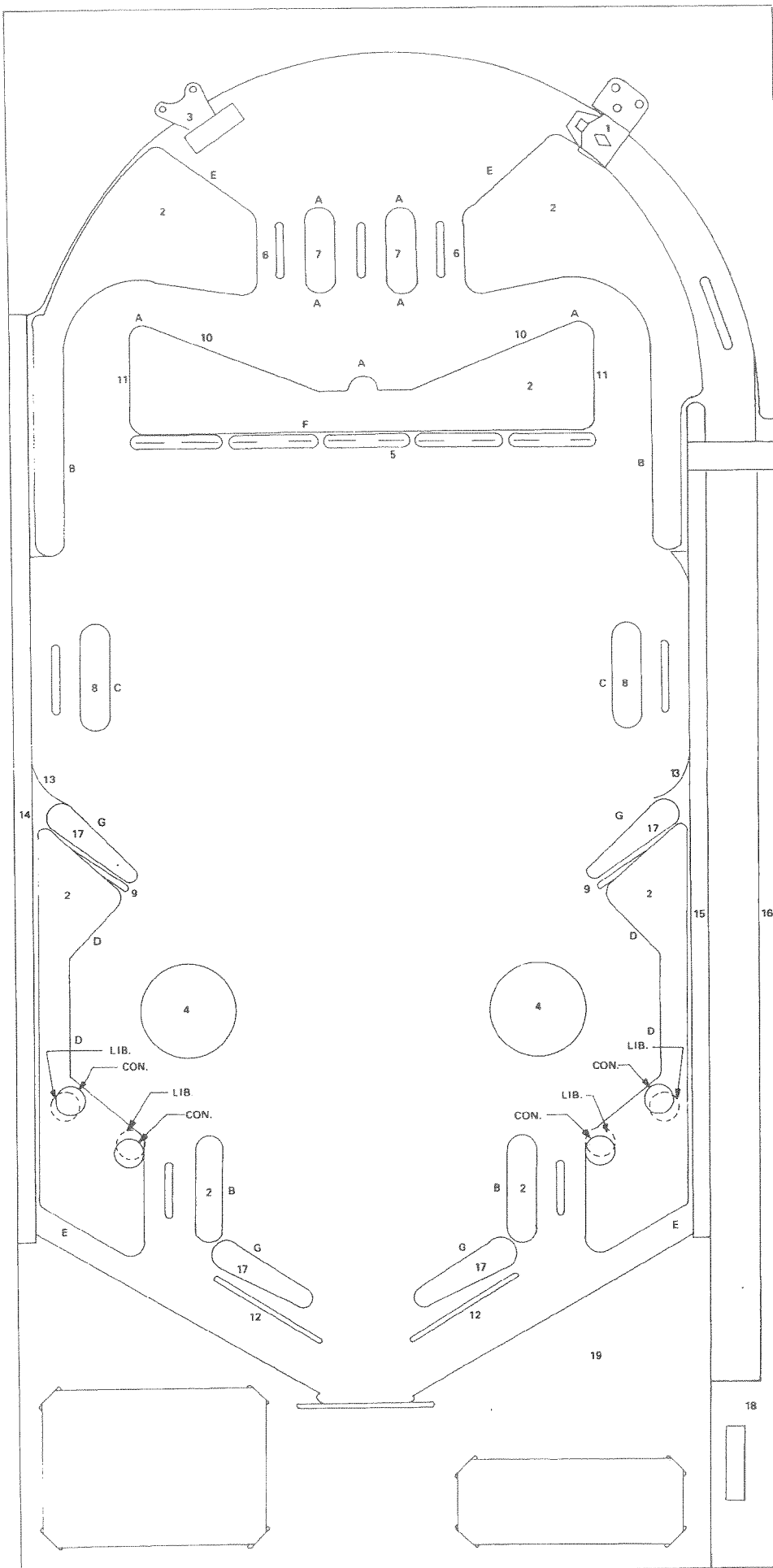
- A - A-10217 (7)
- B - A-10219 (4)
- C - A-10220 (2)
- D - A-10221 (4)
- E - A-10222 (4)
- F - A-10226 (2)
- G - A-13151 (4)

PARTS LIST

1. A-3290 Ball Gate.
2. C-14483 Plastic Shield Set.
3. A-9143 Rebound Rubber.
4. Red Pop Bumper A-13904,
White Cap A-11425 in Blue.
5. Drop Target Bank (10 Positions)
Yellow Targets A-14485 in
Blue.
6. A-9393 Plastic Guide Rail -
White.
7. A-9394 Plastic Guide Rail -
Red and Yellow.
8. A-9395 Plastic Guide Rail -
White.
9. A-4831 Ball Guide Rail
(Wire Form) (2)
10. A-5977 Ball Guide Rail
(Wire Form) (2)
11. A-6931 Ball Guide Rail
(Wire Form) (2)
12. A-13798 Ball Snubber Rail
(Wire Form) (2)
13. A-7321 Ball Guide Flat Rail.
14. C-7393 Wood Side Rail.
15. C-9771 Wood Center Rail.
16. C-13977 Wood Side Rail.
17. C-13150 Flipper.
18. C-9767 Ball Shooter Gage.
19. D-13647 Card Holder.

C-11561 White Plastic Post
(44) 1" High

LIB. = LIBERAL.
CON. = CONSERVATIVE.



HIGH HAND

PLAYBOARD INFORMATION

RUBBER RINGS

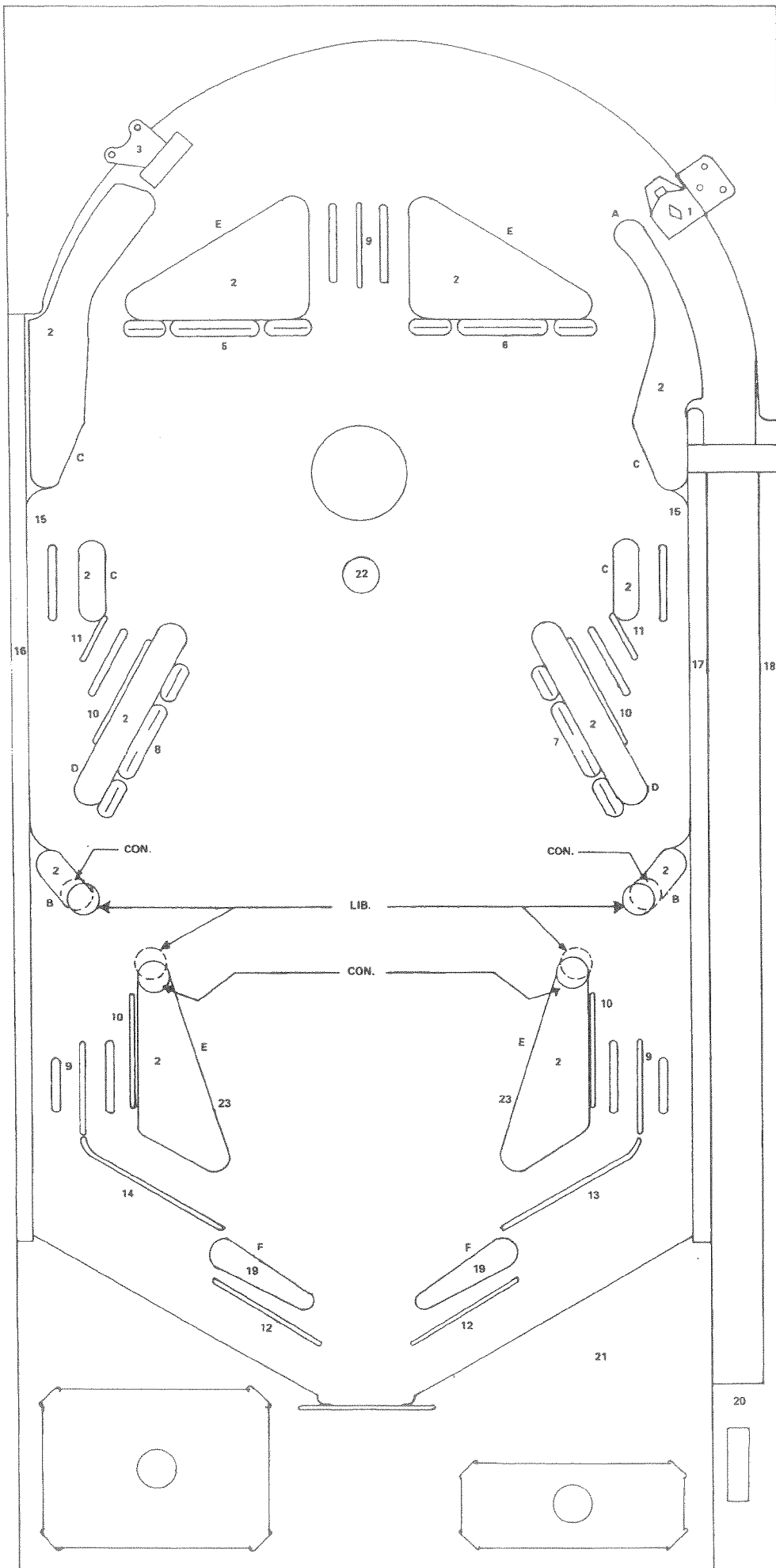
(A)	A-10217	(1)
(B)	A-10218	(2)
(C)	A-10219	(4)
(D)	A-10222	(2)
(E)	A-10224	(4)
(F)	A-13151	(2)

PARTS LIST

1. A-3290 Ball Gate.
2. C-14751 Plastic Shield Set.
3. C-9143 Rebound Rubber.
4. Red Pop Bumper A-10436, White Cap A-11826 in Red.
5. Diamond Target Bank.
6. Spade Target Bank.
7. Heart Target Bank.
8. Club Target Bank.
9. A-3722 Ball Guide Rail. (Wire Form) (3)
10. A-4832 Ball Guide Rail. (Wire Form) (4)
11. A-6931 Ball Guide Rail. (Wire Form) (2)
12. A-13798 Ball Snubber. (Wire Form) (2)
13. A-14571 Ball Guide Rail. (Wire Form) (1)
14. A-14572 Ball Guide Rail. (Wire Form) (1)
15. A-14742 Ball Guide Flat Rail. (2)
16. C-7393 Wood Rail. (Left Side)
17. C-9771 Wood Rail. (Center)
18. C-13977 Wood Rail. (Right Side)
19. C-13150 Flippers.
20. C-9767 Ball Shooter Gage.
21. D-13647 Card Holder.
22. A-10108 Ball Kicker Cam.
23. A-14834 Contact Kicker.

C-11561 White Plastic Post
1" High (29)

LIB. = LIBERAL.
CON. = CONSERVATIVE.



HOT SHOT BIG SHOT

PLAYBOARD INFORMATION

RUBBER RINGS

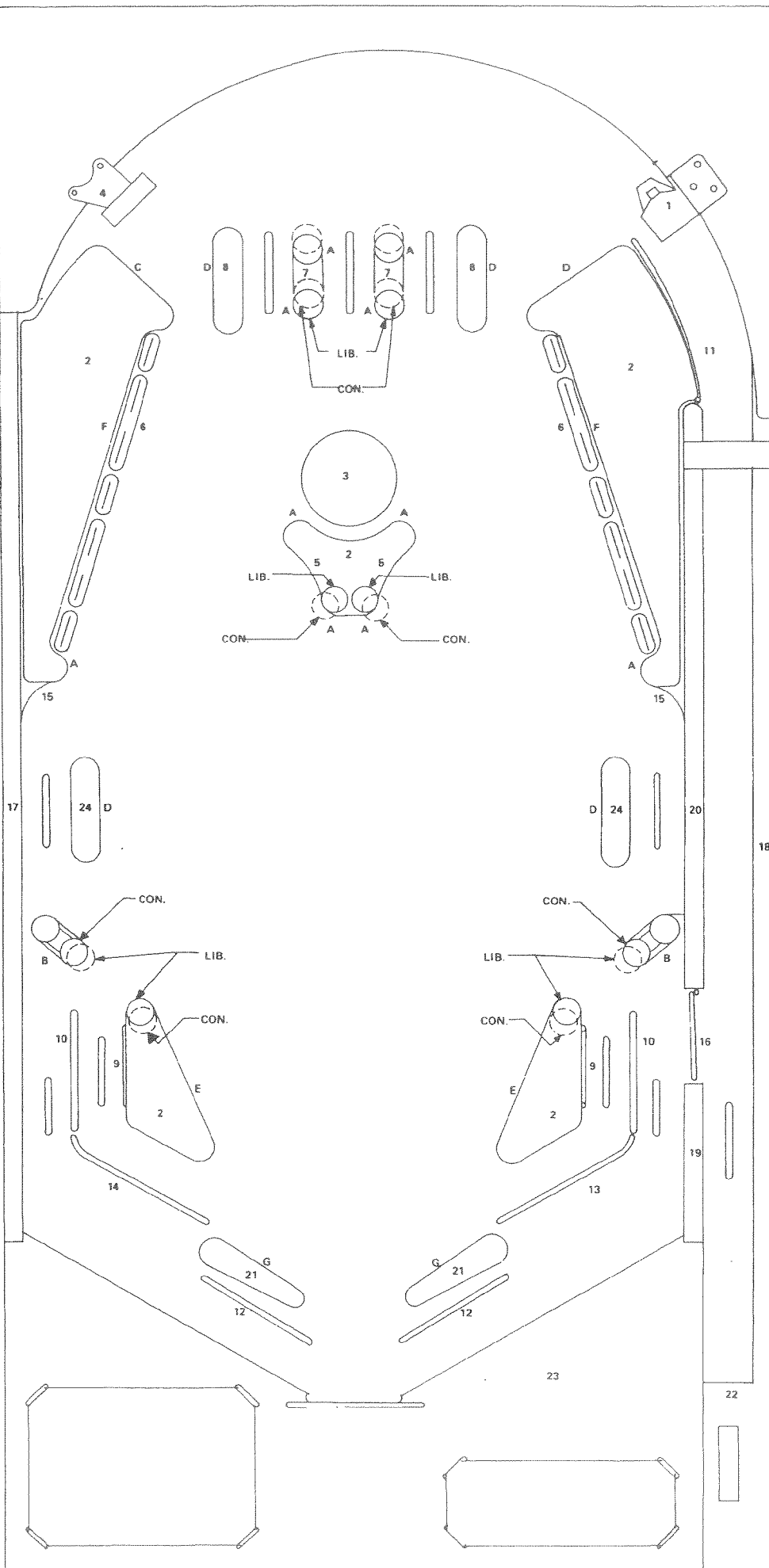
A	- A-10217	(10)
B	- A-10218	(2)
C	- A-10219	(1)
D	- A-10220	(5)
E	- A-10223	(2)
F	- A-10225	(2)
G	- A-13151	(2)

PARTS LIST

1. A-3290 Ball Gate.
2. C-14607 Plastic Shield Set.
3. Blue Pop Bumper A-13905 and A-14698 Cap in Blue.
4. A-9143 Rebound Rubber.
5. A-13895 Wheel Target (B-9591 Target & Sw. Assem.)
6. A-14700 White Drop Target - Red Design (7)
7. A-9394 White Plastic Guide Rail.
8. A-9395 Red Plastic Guide Rail.
9. A-3722 Ball Guide Rail (Wire Form) (2)
10. A-4832 Ball Guide Rail (Wire Form) (2)
11. A-8514 Ball Guide Rail (Wire Form) (1)
12. A-13798 Ball Snubber Rail (Wire Form) (2)
13. A-14571 Ball Guide Rail (Wire Form) (1)
14. A-14572 Ball Guide Rail (Wire Form) (1)
15. A-12431 Ball Guide Flat Rail. (2)
16. A-14099 Ball Return Gate.
17. C-7393 Wood Rail. (Left Side)
18. C-13977 Wood Rail. (Right Side)
19. A-14569 Wood Rail. (Bottom)
20. B-14570 Wood Rail. (Top)
21. C-13150 Flipper.
22. C-9767 Ball Shooter Gage.
23. D-13647 Card Holder.
24. A-9395 Green Plastic Guide Rail.

C-11561 White Plastic Post 1" High
(38)

LIB. = LIBERAL.
CON. = CONSERVATIVE.



KING PIN

PLAYBOARD INFORMATION

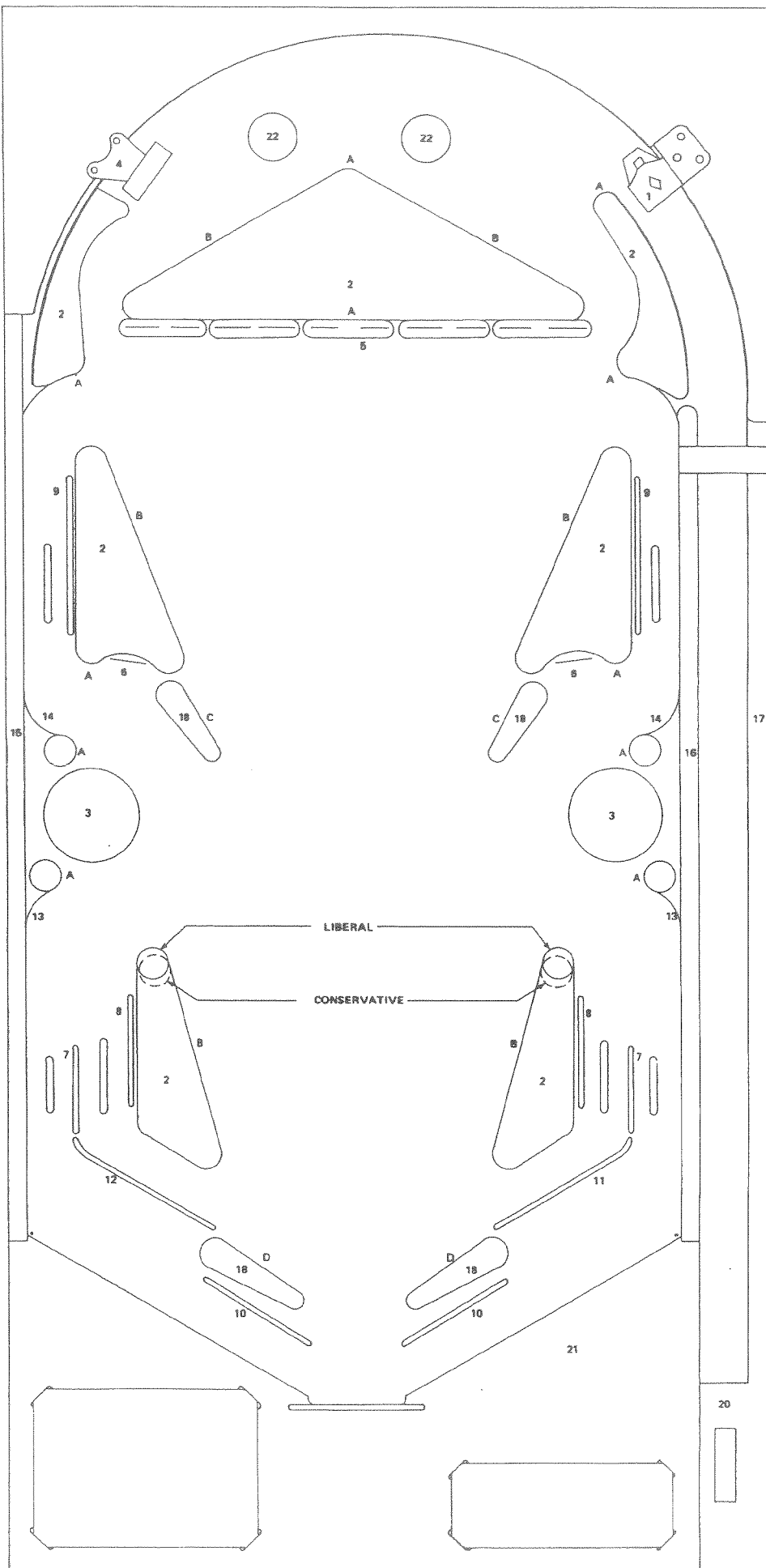
RUBBER RINGS

A - A-10217	(11)
B - A-10223	(8)
C - A-13149	(2)
D - A-13151	(2)

PARTS LIST

1. A-3290 Ball Gate.
2. C-14844 Plastic Shield Set.
3. Red Pop Bumper A-13904 and A-11826 in Blue.
4. A-9143 Rebound Rubber.
5. Drop Target Bank - Red. (A-14857)
6. A-14396 Star Target (Sw. & Target Assem. B-9591)
7. A-3722 Ball Guide Rail. (Wire Form) (2)
8. A-4832 Ball Guide Rail. (Wire Form) (2)
9. A-4833 Ball Guide Rail. (Wire Form) (2)
10. A-13798 Ball Snubber Rail. (Wire Form) (2)
11. A-14571 Ball Guide Rail. (Wire Form) (1)
12. A-14572 Ball Guide Rail. (Wire Form) (1)
13. A-14860 Ball Guide Flat Rail.
14. B-14861 Ball Guide Flat Rail.
15. C-7393 Left Side Wood Rail.
16. C-9771 Center Wood Rail.
17. C-13977 Right Side Wood Rail.
18. C-11241 Flipper.
19. C-13150 Flipper.
20. C-9767 Ball Shooter Gage.
21. D-13467 Card Holder.
22. A-945 Plastic Hole Cover - Yellow.

C-11561 White Plastic Post
(27) 1" High



BIG INDIAN BIG BRAVE

PLAYBOARD INFORMATION

RUBBER RINGS

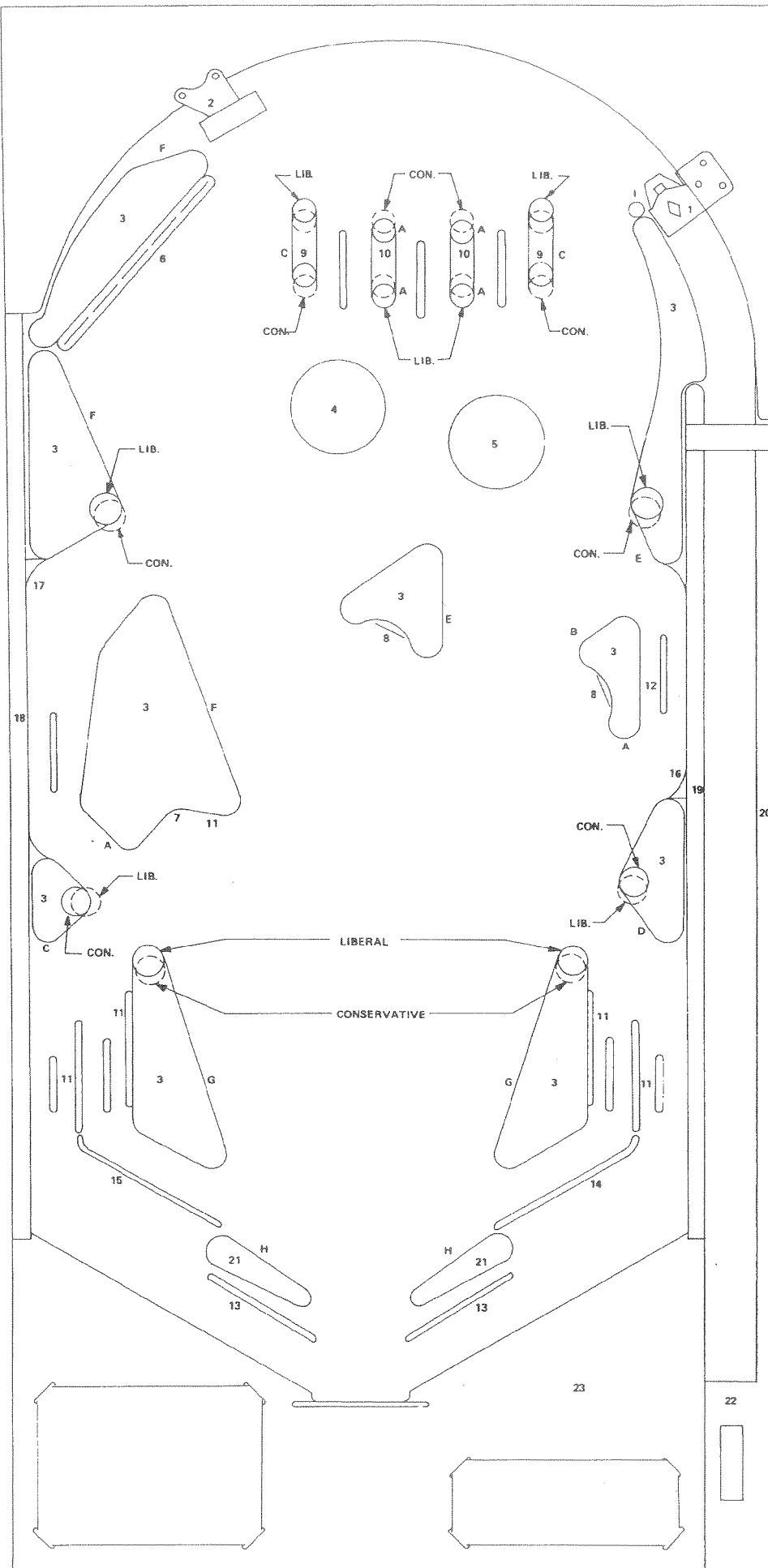
A - A-10217	(6)
B - A-10218	(1)
C - A-10219	(3)
D - A-10221	(1)
E - A-10222	(2)
F - A-10223	(3)
G - A-10224	(2)
H - A-13151	(2)
I - A-14793	(1)

PARTS LIST

- A-3290 Ball Gate.
- C-9143 Rebound Rubber.
- C-14961 Plastic Shield Set.
- Blue Pop Bumper A-10436 and A-11426 Cap in Red.
- Yellow Pop Bumper A-10436 and A-11426 Cap in Red.
- Indian Head Target Bank. (A-14936) (5)
- B-11535 Vari-Target (Arm & Cam Assem.)
- A-9383 Bullseye Target (B-9591 Target & Switch Assem.)
- A-9393 Green Plastic Ball Guide.
- A-9394 Yellow Plastic Ball Guide.
- A-4832 Ball Guide Rail. (Wire Form) (5)
- A-6612 Ball Guide Rail. (Wire Form) (1)
- A-13978 Ball Snubber. (Wire Form) (2)
- A-14571 Ball Guide Rail. (Wire Form) (1)
- A-14572 Ball Guide Rail. (Wire Form) (1)
- A-12431 Ball Guide Flat Rail.
- B-13874 Ball Guide Flat Rail.
- C-7393 Wood Rail. (Left Side)
- C-9771 Wood Rail. (Center)
- C-13977 Wood Rail. (Right Side)
- A-13150 Flippers.- (White)
- C-9767 Ball Shooter Gage.
- D-13647 Card Holder.

C-11561 White Plastic Post
1" High (39)
A-14792 Mini Post Screw. (1)

LIB. = LIBERAL.
CON. = CONSERVATIVE.



SKY JUMP

PLAYBOARD INFORMATION

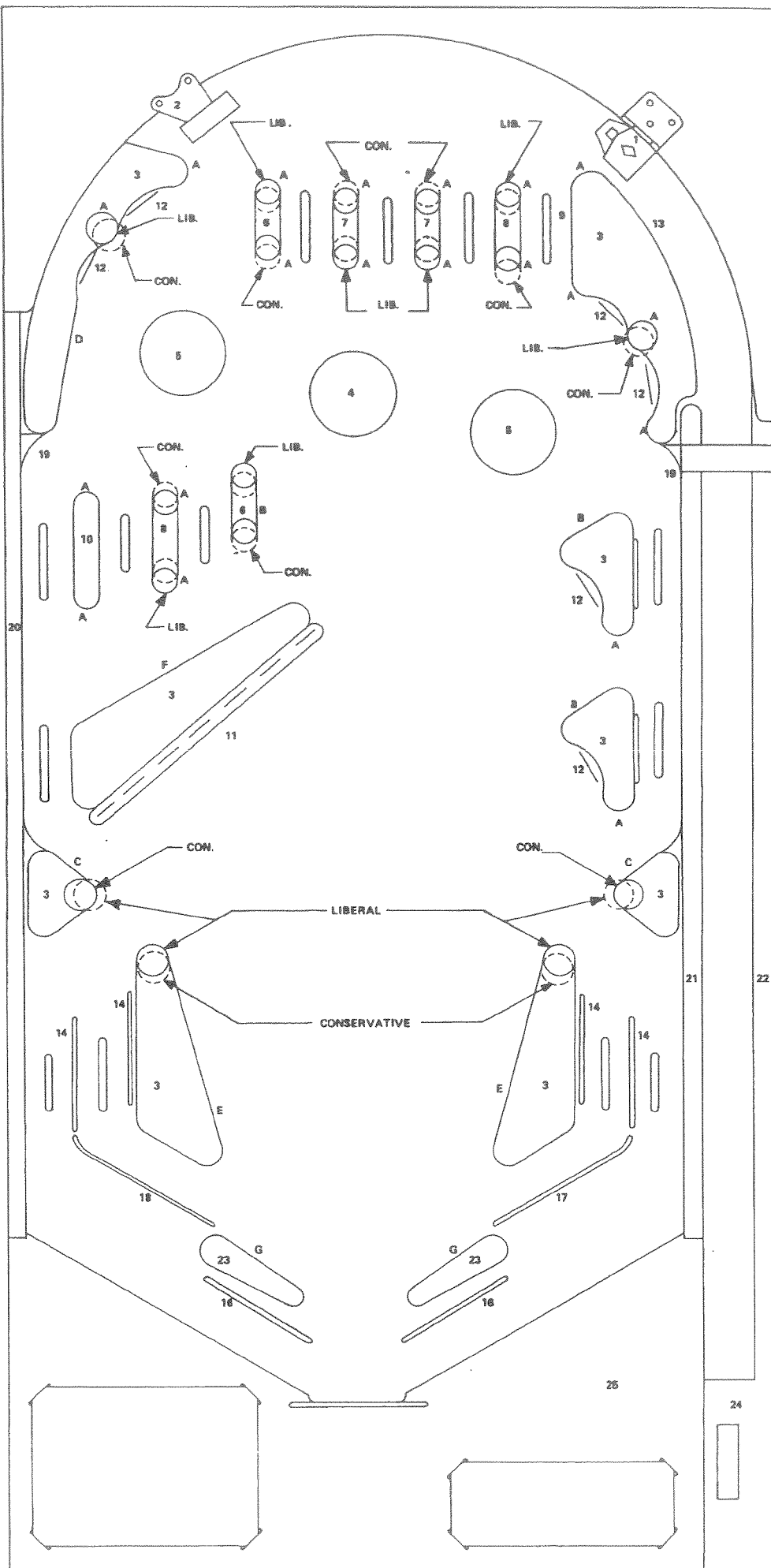
RUBBER RINGS

A - A-10217	(20)
B - A-10219	(3)
C - A-10220	(2)
D - A-10221	(1)
E - A-10223	(2)
F - A-10225	(1)
G - A-13151	(2)

PARTS LIST

1. A-3290 Ball Gate.
 2. A-9143 Rebound Rubber.
 3. C-15047 Plastic Shield Set.
 4. Red Pop Bumper A-13905 and A-15166 Cap in Red.
 5. Blue Pop Bumper A-13905 and A-11426 Cap in Blue.
 6. A-9393 White Plastic Apron. (2)
 7. A-9394 White Plastic Apron. (2)
 8. A-9396 White Plastic Apron. (2)
 9. A-9397 White Plastic Apron. (1)
 10. A-9398 White Plastic Apron. (1)
 11. Red Drop Target Bank.
 12. A-14396 Plastic Targets. (Target & Switch Assem. B-9591)
 13. A-4246 Ball Guide Rail. (Wire Form) (1)
 14. A-4832 Ball Guide Rail. (Wire Form) (4)
 15. A-6612 Ball Guide Rail. (Wire Form) (2)
 16. A-13798 Ball Snubber Rail. (Wire Form) (2)
 17. A-14571 Ball Guide Rail. (Wire Form) (1)
 18. A-14572 Ball Guide Rail. (Wire Form) (1)
 19. B-15052 Ball Guide Flat Rail.
 20. C-7393 Wood Rail. (Left Side)
 21. C-9771 Wood Rail. (Center)
 22. C-13977 Wood Rail. (Right Side)
 23. C-13150 Flippers (White)
 24. C-9767 Ball Shooter Gage.
 25. D-13647 Card Holder.
- C-11561 White Plastic Post
1" High. (44)

LIB. = LIBERAL.
CON. = CONSERVATIVE.



MAGNOTRON DUOTRON

PLAYBOARD INFORMATION

RUBBER RINGS

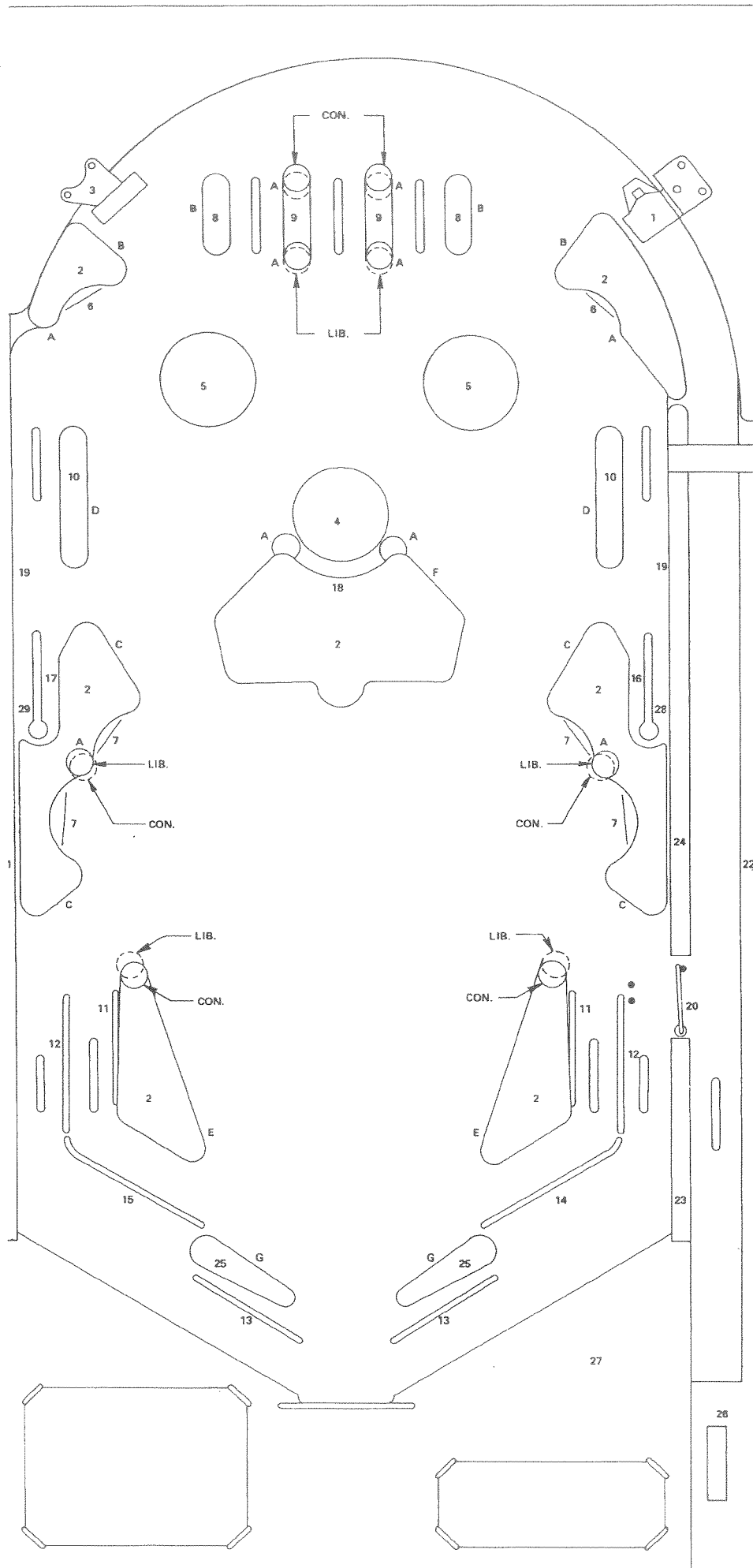
A - A-10217	(10)
B - A-10219	(4)
C - A-10220	(4)
D - A-10221	(2)
E - A-10223	(2)
F - A-10225	(1)
G - A-13151	(2)

PARTS LIST

- A-3290 Ball Gate.
- C-14665 Plastic Shield Set.
- A-9143 Rebound Rubber.
- Red Pop Bumper A-10436 and A-11426 Cap in Blue.
- Yellow Pop Bumper A-10436 and A-11426 Cap in Blue.
- Red Target (B-9591 Sw. & Target Assem.)
- Green Target. (B-9591 Sw. & Target Assem.)
- A-9393 Yellow Plastic Guide Rail.
- A-9396 Yellow Plastic Guide Rail.
- A-1999 Metal Shield.
- A-4832 Ball Guide Rail. (Wire Form) (2)
- A-13782 Ball Guide Rail. (Wire Form) (2)
- A-13798 Ball Snubber Rail. (Wire Form) (2)
- A-14571 Ball Guide Rail. (Wire Form) (1)
- A-14572 Ball Guide Rail. (Wire Form) (1)
- A-14686 Ball Guide Rail. (Wire Form) (1)
- A-14687 Ball Guide Rail. (Wire Form) (1)
- A-14688 Ball Guide Rail. (Wire Form)
- B-14689 Ball Guide Flat Rail.
- A-13652 Ball Return Gate.
- C-7393 Wood Rail. (Left Side)
- C-13977 Wood Rail. (Right Side)
- A-14691 Wood Rail. (Center Bottom)
- B-14692 Wood Rail. (Center Top)
- C-13150 Flippers. (White)
- C-9767 Ball Shooter Gage.
- D-13647 Card Holder.
- A-15224 Ball Kicker.
- A-10633 Ball Kicker.

C-11561 White Plastic Post 1" High (44)
C-11562 White Plastic Post 1-3/16" High (2)

LIB. = LIBERAL.
CON. = CONSERVATIVE.



TOP CARD

PLAYBOARD INFORMATION

RUBBER RINGS

A - A-10217	(10)
B - A-10221	(2)
C - A-10223	(4)
D - A-10224	(1)
E - A-13151	(2)
F - A-14793	(2)

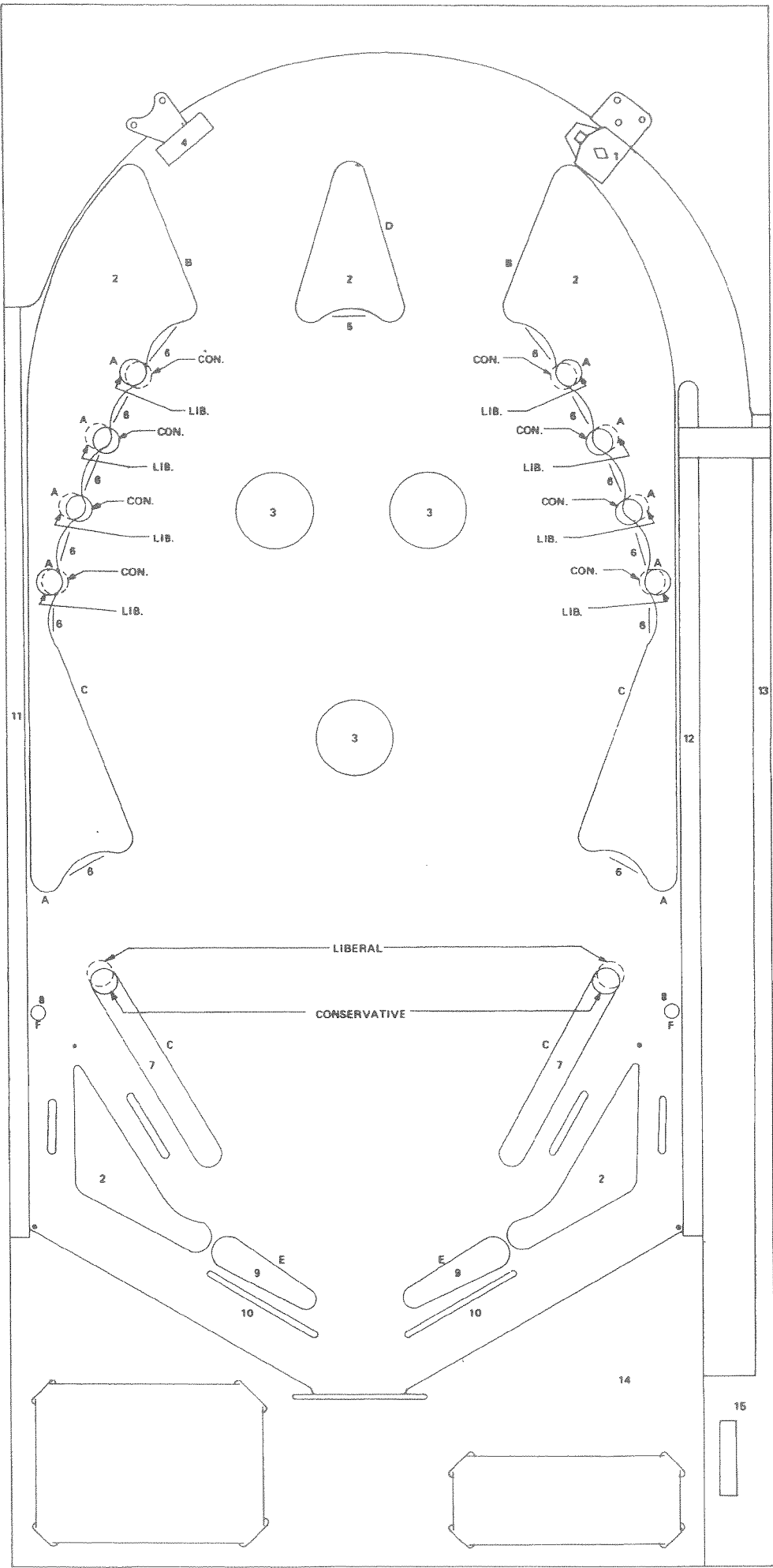
PARTS LIST

1. A-3290 Ball Gate.
2. D-15062 Plastic Shield Set.
3. Yellow Pop Bumper A-10436 and A-11836 Cap in Blue.
4. A-9143 Rebound Rubber.
5. A-14787 Red Target. (B-9591 Target and Sw. Assem.)
6. A-14787 White Target. (B-9591 Target and Sw. Assem.)
7. A-9821 Adj. Metal Shield.
8. A-14792 Mini Screw Post. (2)
9. A-13150 Flipper.
10. A-13798 Ball Snubber Rail. (Wire Form) (2)
11. C-9373 Left Side Wood Rail.
12. C-9771 Center Wood Rail.
13. C-13977 Right Side Wood Rail.
14. D-13467 Card Holder.
15. C-9767 Ball Shooter Gage.

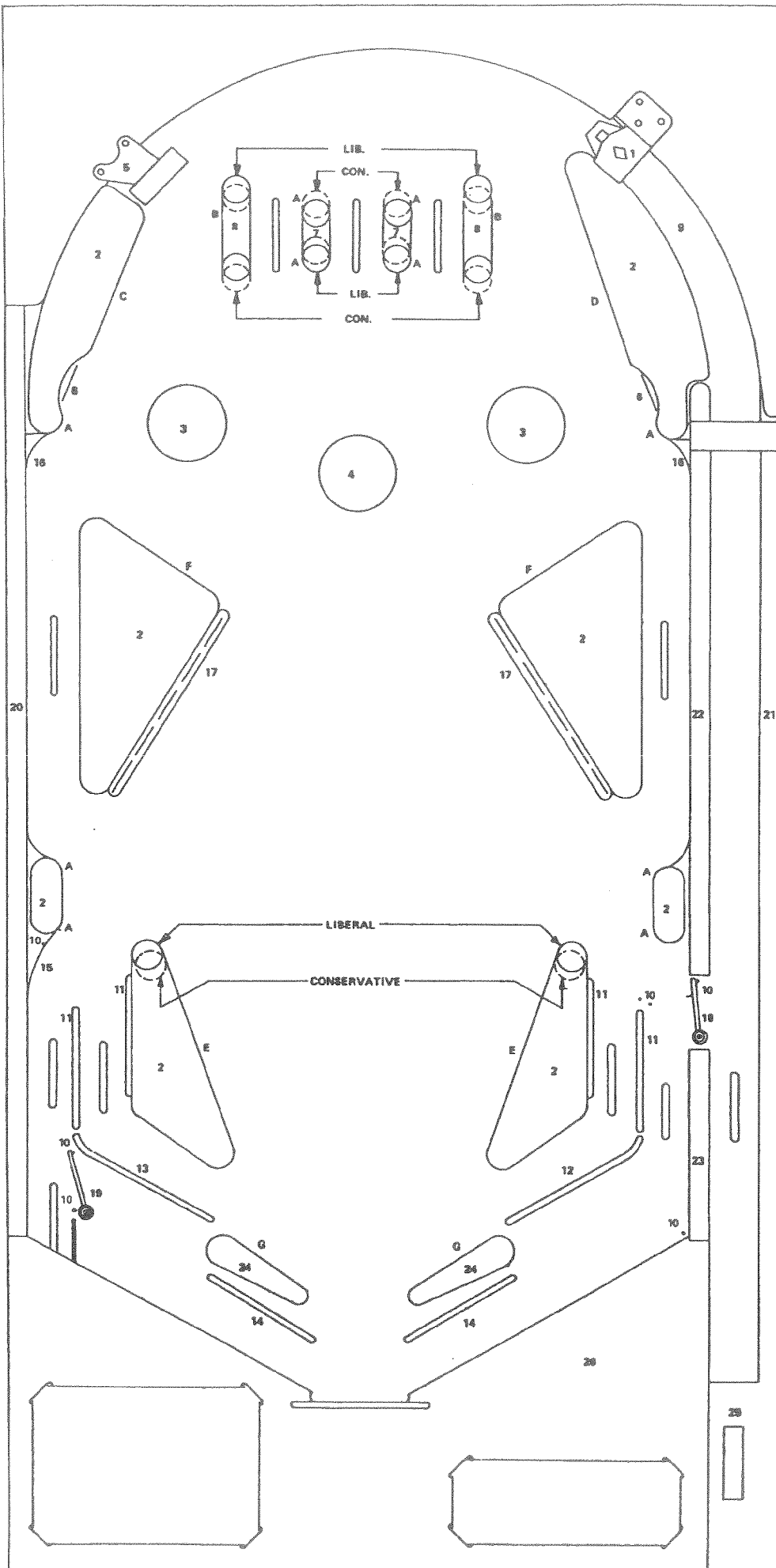
C-11561 White Plastic Post (22)
1" High.

A-14487 Split Post Cap. (8)
A-14488 Split Post Base. (8)

LIB. = LIBERAL.
CON. = CONSERVATIVE.



FAR OUT OUT OF SIGHT



PLAYBOARD INFORMATION

RUBBER RINGS

A	- A-10217	(10)
B	- A-10220	(2)
C	- A-10222	(1)
D	- A-10223	(1)
E	- A-10224	(2)
F	- A-10225	(4)
G	- A-13151	(2)

PARTS LIST

1. A-3290 Ball Gate.
2. C-15206 Plastic Shield Set.
3. Red Pop Bumper A-10436 and A-11426 Cap in Red.
4. Yellow Pop Bumper A-10436 and A-11826 Cap in Blue.
5. A-9143 Rebound Rubber.
6. A-12301 White Target Blue Design.
7. A-9394 Plastic Ball Guide. (Red)
8. A-9395 Plastic Ball Guide. (Red)
9. A-4246 Ball Guide Rail. (Wire Form) (1)
10. A-10542 Steel Pin. (7)
11. A-12106 Ball Guide Rail. (Wire Form) (1)
12. A-12107 Ball Guide Rail. (Wire Form) (1)
13. A-13798 Ball Snubber Rail. (Wire Form) (2)
14. A-14389 Ball Guide Flat Rail.
15. B-15052 Ball Guide Flat Rail.
16. A-15416 5 Position Target Bank. (Yellow Target Black Design)
17. A-13652 Ball Return Gate.
18. A-13652 Ball Kicker Gate.
19. C-7393 Wood Rail. (Left Side)
20. C-13977 Wood Rail. (Right Side)
21. B-14391 Wood Rail. (Center Top)
22. B-14392 Wood Rail. (Center Bottom)
23. C-13150 Flipper. (White)
24. C-9767 Ball Shooter Gage.
25. D-14386 Card Holder.

C-11561 White Plastic Post (30)
1" High

LIB. = LIBERAL.
CON. = CONSERVATIVE.

ATLANTIS

PLAYBOARD INFORMATION

RUBBER RINGS

A	- A-10217	(8)
B	- A-10218	(2)
C	- A-10219	(5)
D	- A-10223	(2)
E	- A-10224	(1)
F	- A-10226	(2)
G	- A-13151	(2)
H	- A-14793	(7)

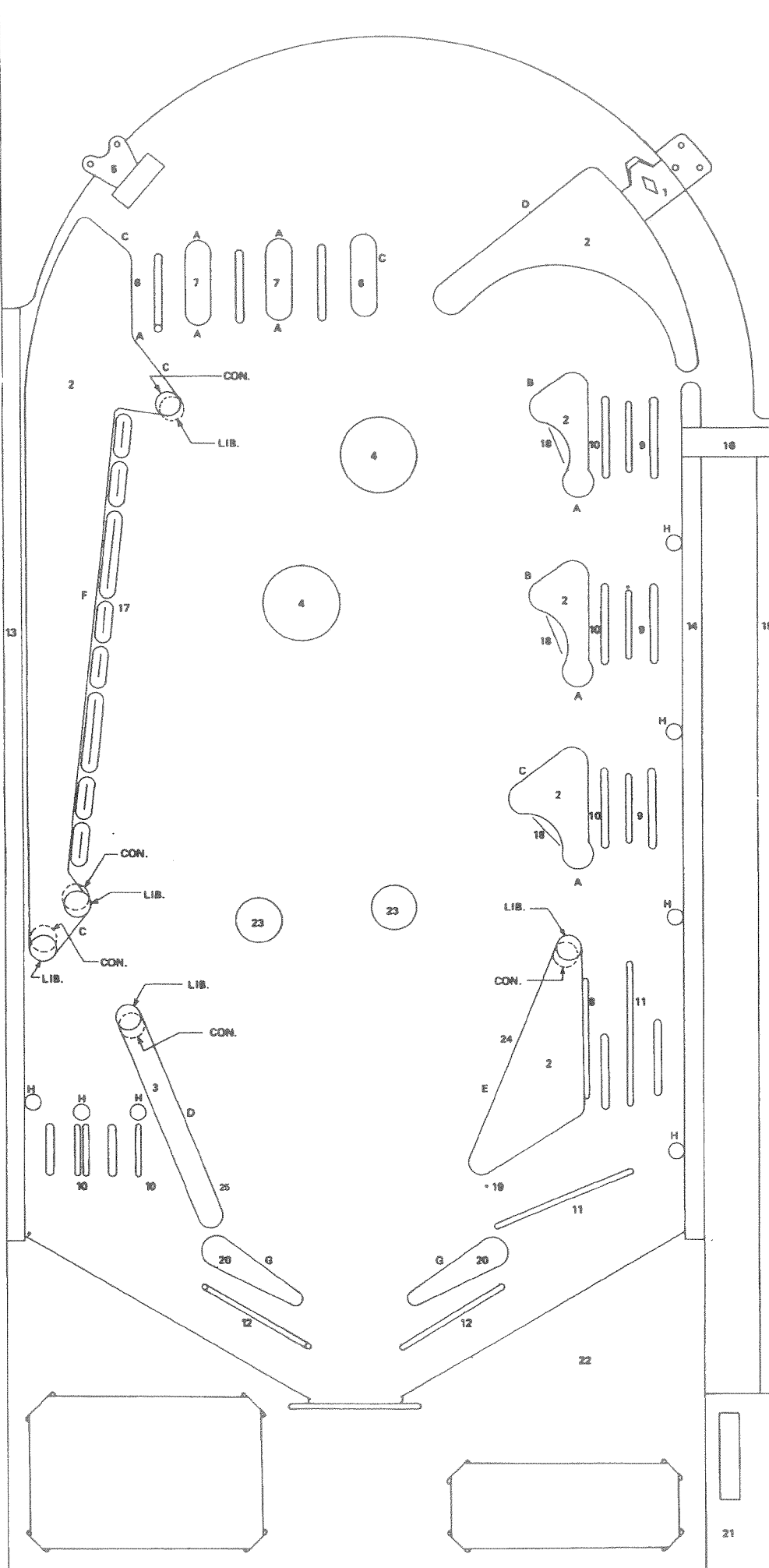
(Mini Post)

PARTS LIST

1. A-3290 Ball Gate.
2. C-16091 Plastic Shield Set.
3. A-9821 Metal Shield (Adj.)
4. Red Pop Bumper A-13905 and A-11426 Cap in Red.
5. A-9143 Ball Rebound Rubber.
6. A-9393 Plastic Ball Guide. (Yellow)
7. A-9394 Plastic Ball Guide. (Yellow)
8. A-4832 Ball Guide Wire Form. (1)
9. A-6612 Ball Guide Wire Form. (3)
10. A-6931 Ball Guide Wire Form. (6)
11. A-13782 Ball Guide Wire Form. (2)
12. A-13798 Ball Snubber Wire Form. (2)
13. C-7393 Wood Rail. (Left Side)
14. C-9771 Wood Rail. (Center)
15. C-13977 Wood Rail. (Right Side)
16. A-8215 Ball Deflector.
17. A-15507 Drop Target Bank.
18. A-14396 Yellow Plastic Target. (B-9592 Sw. & Target Assem.)
19. A-10542 Steel Pin. (5)
20. C-13150 Flipper. (White)
21. C-9767 Ball Shooter Gage.
22. D-13647 Card Holder.
23. D-11966 Red Insert and D-11968 White Button.
24. A-15838 Contact Kicker.
25. A-15836 Contact Kicker.

- C-11561 Plastic Post -- White (31)
1" High
- C-11562 Plastic Post -- White (2)
1-3/16" High
- A-14792 Mini Post Screw. (7)

LIB. = LIBERAL.
CON. = CONSERVATIVE.



SOCCER SUPER SOCCER

PLAYBOARD INFORMATION

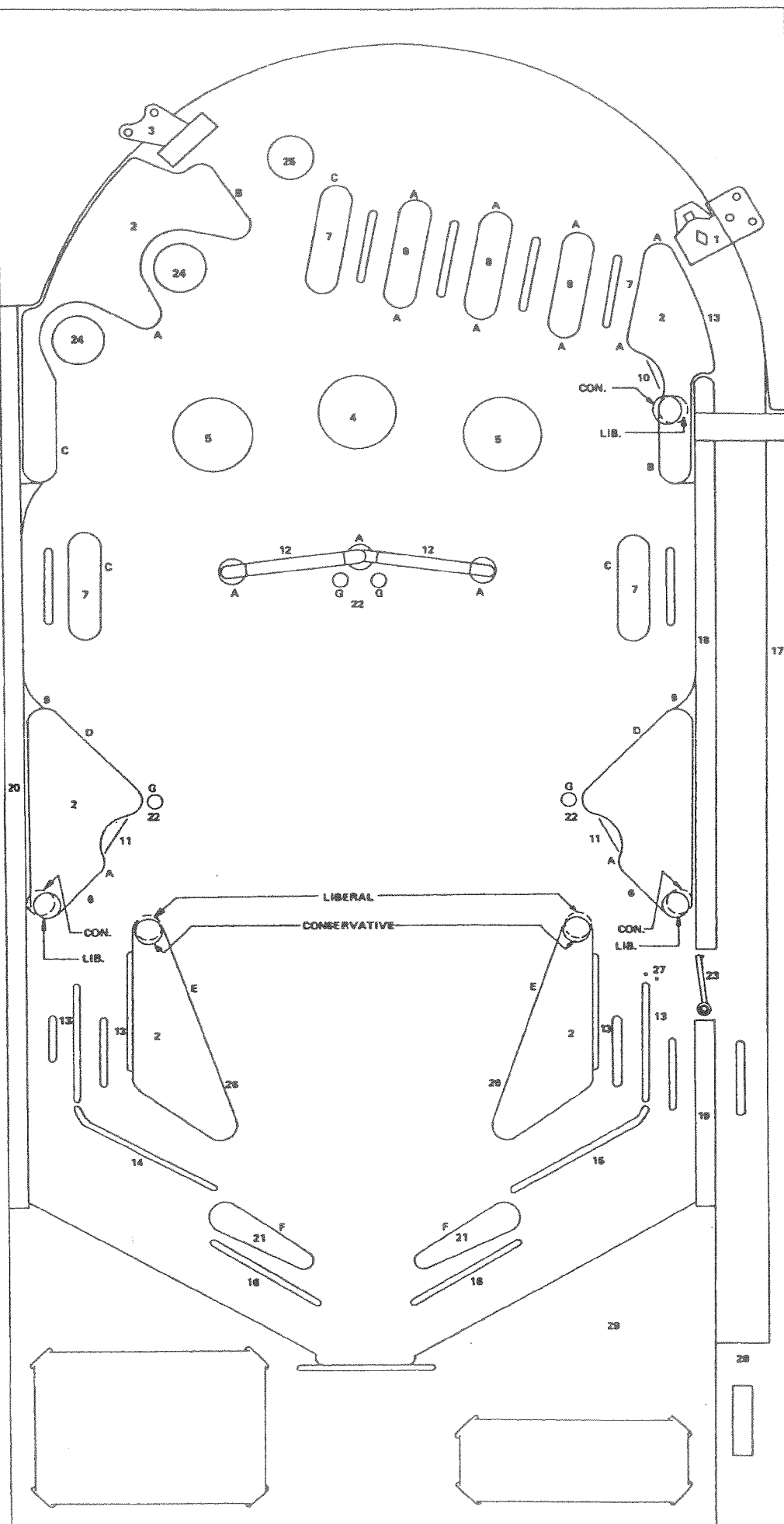
RUBBER RINGS

A - A-10217	(14)
B - A-10219	(2)
C - A-10220	(4)
D - A-10221	(2)
E - A-10224	(2)
F - A-13151	(2)
G - A-15705	(4)

PARTS LIST

- A-3290 Ball Gate.
 - C-15297 Plastic Shield Set.
 - A-9143 Rebound Rubber.
 - Blue Pop Bumper A-10436 and A-13859 Cap in Red.
 - Yellow Pop Bumper A-10436 and A-13859 Cap in Red.
 - A-9393 Plastic Ball Guide Rail. White.
 - A-9395 Plastic Ball Guide Rail. White.
 - A-9396 Plastic Ball Guide Rail. White.
 - A-12431 Ball Guide Flat Rail.
 - A-14787 Target White Star. (Target & Sw. Assem. B-9591)
 - A-9383 Bullseye Target.
 - A-12796 Spinning Target.
 - A-4832 Ball Guide Rail. (Wire Form) (5)
 - A-12106 Ball Guide Rail. (Wire Form) (1)
 - A-12107 Ball Guide Rail. (Wire Form) (1)
 - A-13798 Ball Snubber Guide Rail. (Wire Form) (2)
 - C-13977 Wood Rail. (Right Side)
 - B-14391 Wood Rail. (Center Top)
 - A-14392 Wood Rail. (Center Bottom)
 - C-15360 Wood Rail. (Left Side)
 - C-13150 Flippers. (White)
 - A-14792 Mini Post (Metal) (4)
 - A-13652 Ball Return Gate.
 - A-16083 Ball Kicker Cam.
 - D-11966 Red Insert and D-11968 White Button
 - A-15838 Contact Kicker.
 - A-10542 Steel Pin. (6)
 - C-9767 Ball Shooter Gage.
 - D-13647 Card Holder.
- C-11561 White Plastic Post 1" High. (38)
 A-14487 Split Post Cap White. (3)
 A-14488 Split Post Base White. (3)

LIB. = LIBERAL.
 CON. = CONSERVATIVE.



EL DORADO

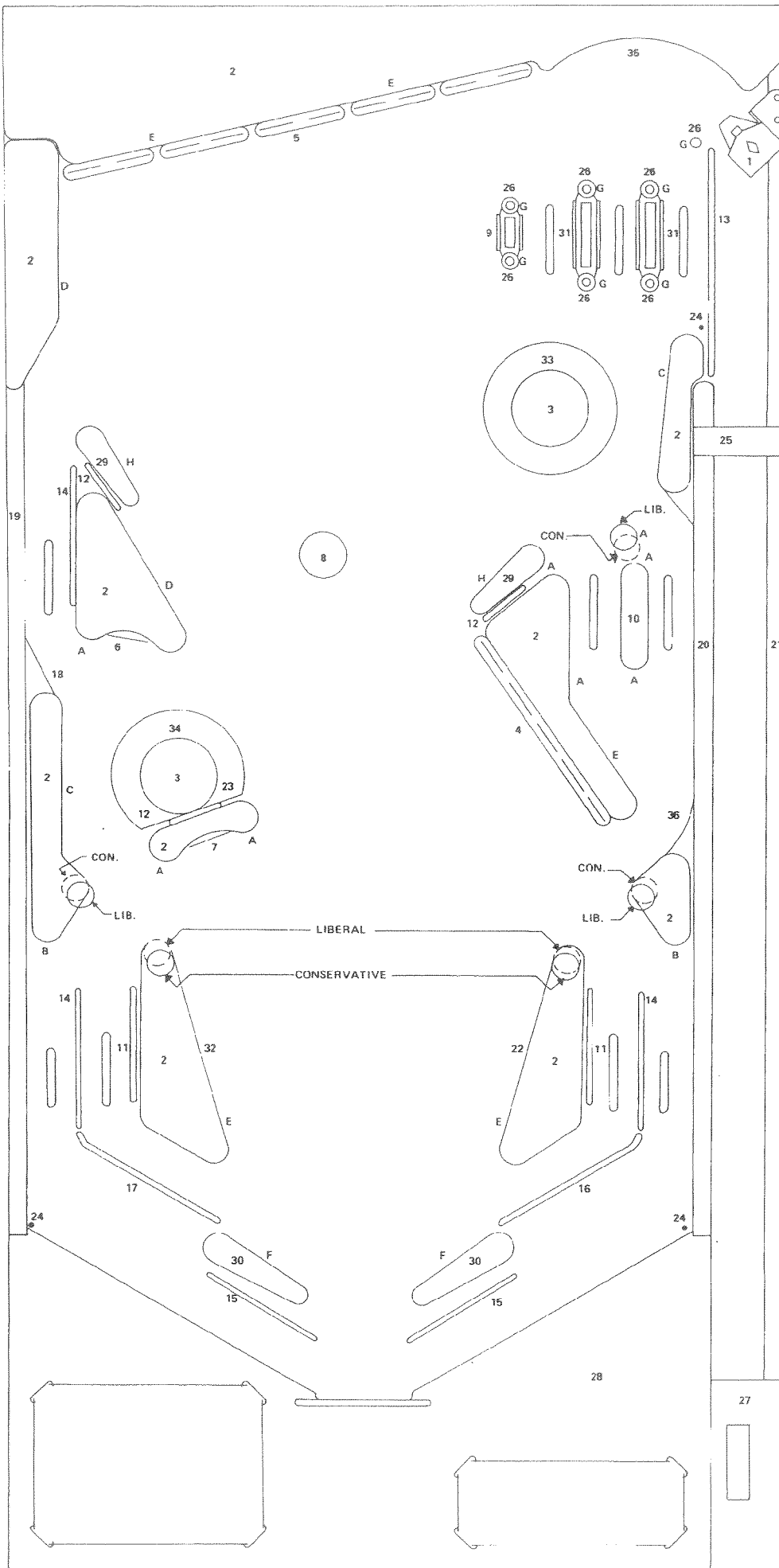
PLAYBOARD INFORMATION

RUBBER RINGS

A	- A-10217	(8)
B	- A-10219	(2)
C	- A-10221	(2)
D	- A-10222	(2)
E	- A-10223	(8)
F	- A-13151	(2)
G	- A-15705	(7)
	Mini Post Screw	
H	- A-13149	(2)

PARTS LIST

1. A-15550 Ball Gate.
 2. C-15565 Plastic Shield Set.
 3. Red Pop Bumper A-13904 and A-15200 Cap Red and Blue.
 4. Black Drop Target 5 Bank.
(A-15665)
 5. Green Drop Target 10 Bank.
(A-15563)
 6. A-9383 Bullseye Target. (B-9591 Sw. and Target Assem.)
 7. A-13895 Wheel Target. (B-9591 Sw. and Target Assem.)
 8. D-11966 Red Insert and D-11968 White Button.
 9. C-15646 White Mini Post Rollover Guide.
 10. A-9396 White Plastic Ball Guide.
 11. A-4832 Ball Guide Rail (Wire Form).
 12. A-6931 Ball Guide Rail (Wire Form).
 13. A-11703 Ball Guide Rail (Wire Form).
 14. A-13782 Ball Guide Rail (Wire Form).
 15. A-13798 Ball Snubber Guide Rail (Wire Form).
 16. A-14571 Ball Guide Rail (Wire Form).
 17. A-14572 Ball Guide Rail (Wire Form).
 18. B-15609 Ball Guide Flat Rail.
 19. B-14880 Wood Rail Left Side.
 20. C-9771 Wood Rail Center.
 21. C-15552 Wood Rail Right Side.
 22. A-15836 Contact Kicker.
 23. Escutcheon Pin (Under Mylar).
 24. A-10542 Steel Pin (3).
 25. A-8215 Ball Deflector.
 26. A-14792 Mini Post Screw (7).
 27. C-9767 Ball Shooter Gage.
 28. D-13647 Card Holder.
 29. C-11241 Flipper.
 30. C-13150 Flipper.
 31. C-15648 White Mini Post Rollover Guide.
 32. A-15838 Contact Kicker.
 33. B-8246 Bumper Platter.
 34. A-15576 Bumper Platter Special.
 35. A-16186 Top Arch Track.
 36. B-15551 Ball Guide Flat Rail.
- C-11561 White Plastic Post (32) 1" High.
C-11562 White Plastic Post
(2) 1-3/16" High.
A-14487 Split Post Base (1).
A-14488 Split Post Cap (1).



FAST DRAW QUICK DRAW

PLAYBOARD INFORMATION

RUBBER RINGS

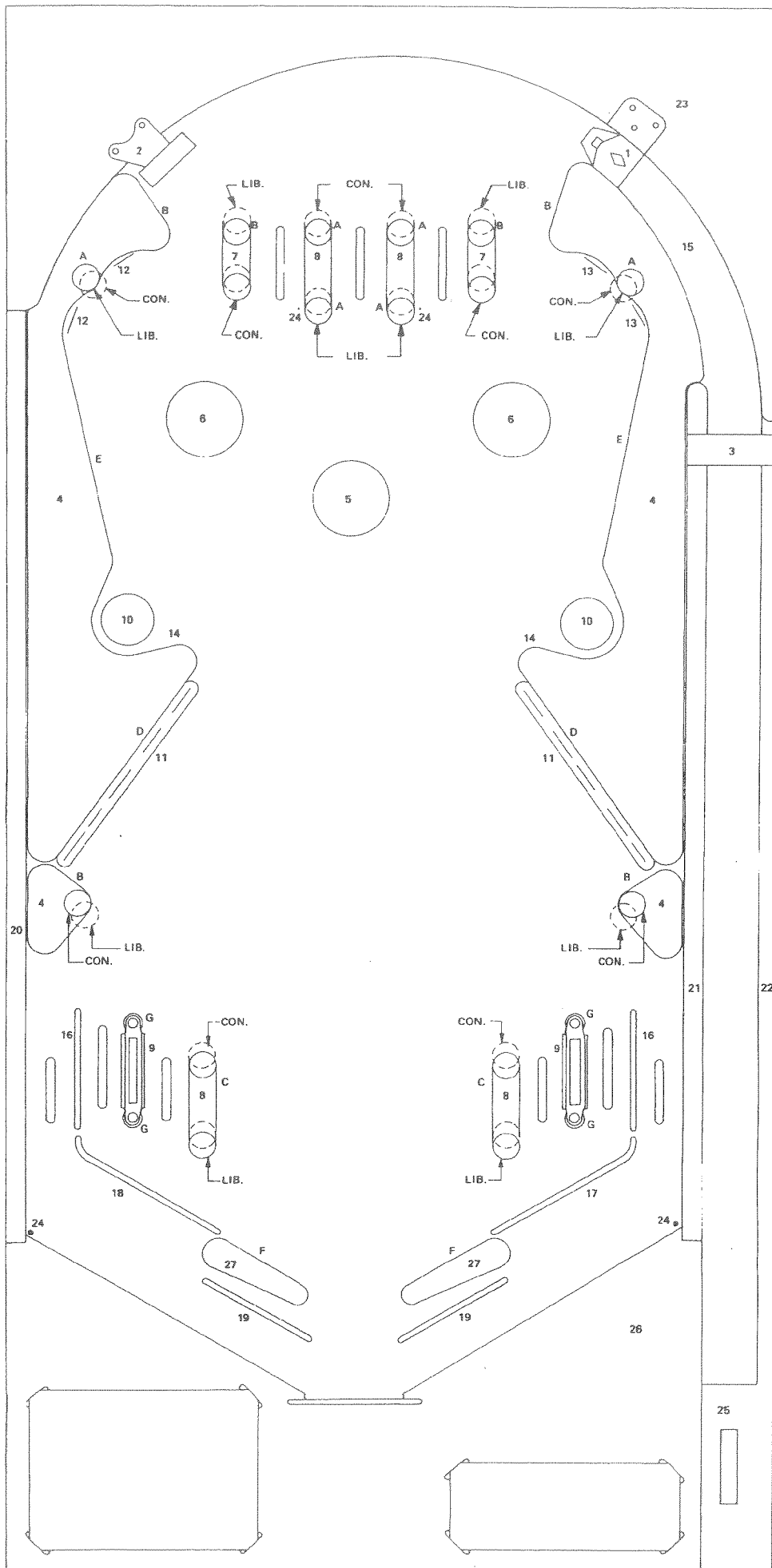
A - A-10217	(6)
B - A-10219	(6)
C - A-10220	(2)
D - A-10223	(2)
E - A-10224	(2)
F - A-13151	(2)
G - A-15705	(4)

Mini Post Screw

PARTS LIST

- A-3290 Ball Gate.
 - A-9143 Ball Rebound Rubber.
 - A-8215 Ball Deflector.
 - C-15864 Plastic Shield Set.
 - Blue Pop Bumper A-13905 and A-15200 Cap stamped in Blue & Red.
 - Red Pop Bumper A-13905 and A-11426 Cap stamped in Red.
 - A-9393 White Plastic Ball Guide.
 - A-9395 Red Plastic Ball Guide.
 - C-15648 Red Mini Post Rollover Guide.
 - A-15707 Red Plastic Hole Base Plate.
 - 5 Pos. Drop Target Bank. (4)
A-15561 Black (1) A-13781 Yellow.
 - A-9383 Plastic Bullseye Target. (Sw. & Target Assem. B-16157)
 - A-9383 Plastic Bullseye Target. (Sw. & Target Assem. B-9591)
 - A-5891 Metal Hole Guard.
 - A-4246 Ball Guide Rail. (Wire Form) (1)
 - A-4832 Ball Guide Rail. (Wire Form) (2)
 - A-14571 Ball Guide Rail. (Wire Form) (1)
 - A-14572 Ball Guide Rail. (Wire Form) (1)
 - A-13798 Ball Snubber Guide Rail. (Wire Form) (2)
 - C-7393 Wood Rail. (Left Side)
 - C-9771 Wood Rail. (Center)
 - C-13977 Wood Rail. (Right Side)
 - C-4806 Top Arch with "H" & "6, 7" Pos.
 - A-10542 Steel Pin. (4)
 - C-9767 Ball Shooter Gage.
 - D-13467 Card Holder.
 - C-13150 Flipper. (White)
- C-11561 White Plastic Post (1") High. (34)
A-14792 Mini Post Screw. (4)

LIB. = LIBERAL.
CON. = CONSERVATIVE.



SPIN OUT

PLAYBOARD INFORMATION

RUBBER RINGS

A	- A-10217	(5)
B	- A-10219	(1)
C	- A-10220	(4)
D	- A-10221	(2)
E	- A-10224	(2)
F	- A-10225	(1)
G	- A-13151	(2)
H	- A-15705	(12)

(Mini Post Screw)

PARTS LIST

1. A-3290 Ball Gate.
 2. A-9143 Ball Rebound Rubber.
 3. A-8215 Ball Deflector.
 4. C-15724 Plastic Shield Set.
 5. Red Pop Bumper A-13905 and A-11426 Cap Stamped in Red.
 6. A-9395 Yellow Plastic Ball Guide.
 7. C-15646 Red Mini Post Rollover Guide.
 8. C-15647 Red Mini Post Rollover Guide.
 9. B-13874 Metal Flat Rail. (2)
 10. A-6931 Ball Guide Rail. (Wire Form) (2)
 11. A-4832 Ball Guide Rail. (Wire Form) (4)
 12. A-14571 Ball Guide Rail. (Wire Form) (1)
 13. A-14572 Ball Guide Rail. (Wire Form) (1)
 14. A-13798 Ball Snubber Rail. (Wire Form) (2)
 15. B-6617 Roto Unit Shield.
 16. C-7393 Wood Rail. (Left Side)
 17. C-9771 Wood Rail. (Center)
 18. C-13977 Wood Rail. (Right Side)
 19. C-13150 Flipper.
 20. C-9767 Ball Shooter Gage.
 21. D-13647-1A Card Holder.
 22. A-10542 Steel Pin. (2)
 23. A-14834 Kicking Rubber.
 24. D-4806 Top Arch. with "F" & "8, 9" Pos.
 25. C-15737 Roto Unit Wiper and Target Assem.
 26. C-15707 Red Hole Base Plate.
- C-11561 White Plastic Post 1" High. (31)
 A-14487 White Split Post Base. (5)
 A-14488 White Split Post Cap. (5)
 A-14792 Mini Post Screw. (12)

LIB. = LIBERAL.
 CON. = CONSERVATIVE.

"300" TOP SCORE

PLAYBOARD INFORMATION

RUBBER RINGS

A	- A-10217	(11)
B	- A-10218	(2)
C	- A-10219	(2)
D	- A-10220	(4)
E	- A-10221	(1)
F	- A-10224	(2)
G	- A-13151	(2)
H	- A-15705	(2)
I	- A-14793	(4)

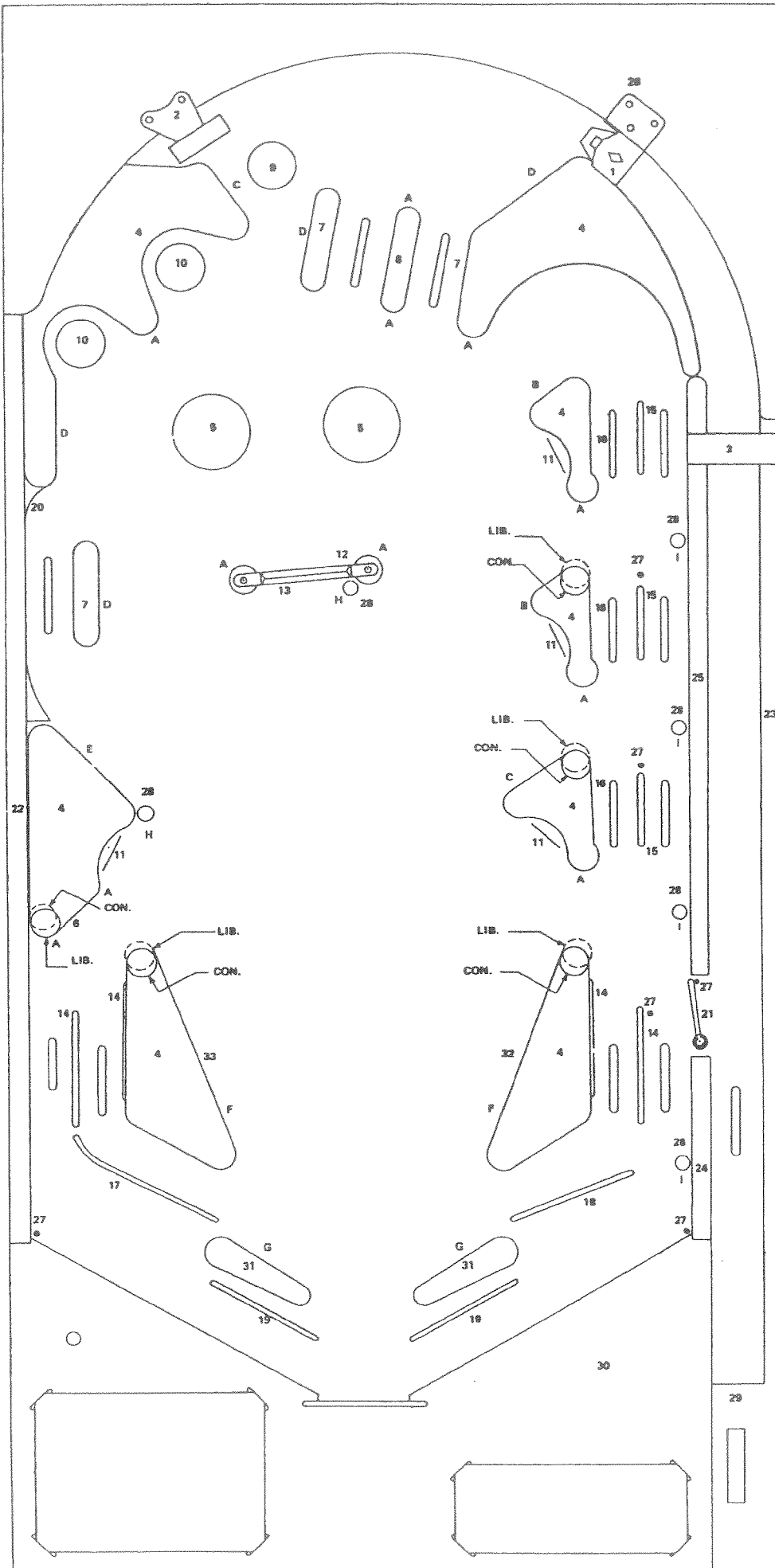
PARTS LIST

- A-3290 Ball Gate.
- A-9143 Ball Rebound Rubber.
- A-8215 Ball Deflector.
- C-16177 Plastic Shield Set.
- Red Pop Bumper A-13905 and A-11426 Cap Stamped in Red.
- A-9393 Red Plastic Ball Guide.
- A-9395 Red Plastic Ball Guide.
- A-9396 Red Plastic Ball Guide.
- D-11966 Red Rollover Insert with D-11968 White Button.
- C-15707 Hole Base Plate, C-15708 Sw. Arm. (Specify Color)
- A-14787 White Target, Gold Star.
- A-14043 Spinning Target Shield.
- A-16305 Spinning Target.
- A-4832 Ball Guide Rail. (Wire Form) (4)
- A-6612 Ball Guide Rail. (Wire Form) (3)
- A-6931 Ball Guide Rail. (Wire Form) (3)
- A-12107 Ball Guide Rail. (Wire Form) (1)
- A-13782 Ball Guide Rail. (Wire Form) (1)
- A-13798 Ball Snubber Rail. (Wire Form) (1)
- A-12431 Flat Metal Rail. (1)
- A-13652 Ball Return Gate.
- C-15360 Wood Rail. (Left Side)
- C-13977 Wood Rail. (Right Side)
- B-14391 Wood Rail. (Center Bottom)
- A-14392 Wood Rail. (Center Top)
- C-4806 Top Arch with "H" & "7-8" Pos.
- A-10542 Steel Pin. (6)
- A-14792 Mini Post Screw. (6)
- C-9767 Ball Shooter Gage.
- D-13647-1 A Score Card Holder.
- C-13150 White Flipper.
- A-15836 Kicking Rubber.
- A-15838 Kicking Rubber.

C-11561 White Plastic Post (1") High. (35)

A-14487 White Split Post Base. (6)
A-14488 White Split Post Cap. (6)

LIB. = LIBERAL.
CON. = CONSERVATIVE.



ABRA CA DABRA

PLAYBOARD INFORMATION

RUBBER RINGS

A	- A-10217	(9)
B	- A-10219	(6)
C	- A-10220	(2)
D	- A-10223	(2)
E	- A-10225	(2)
F	- A-13151	(2)
G	- A-15705	(4)

Mini Post Screw

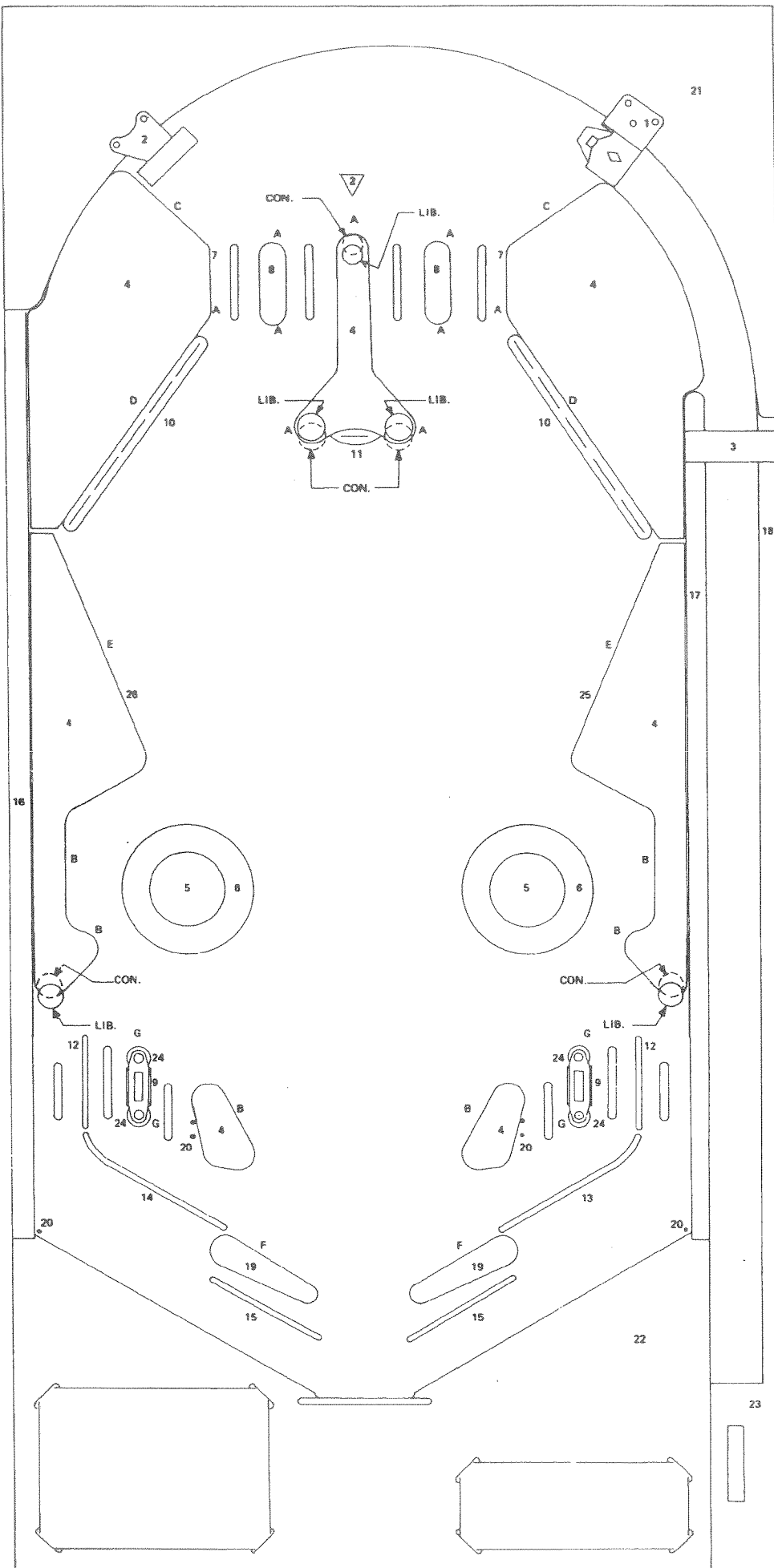
PARTS LIST

1. A-3290 Ball Gate.
2. A-9143 Ball Rebound Rubber.
3. A-8215 Ball Deflector.
4. C-15963 Plastic Shield Set.
5. Green Pop Bumper A-13905 and White Cap A-11826 in Red.
6. B-8246 Pop Bumper Platter.
7. A-9393 Green Plastic Ball Guide.
8. A-9394 Green Plastic Ball Guide.
9. C-15646 Red Plastic Rollover Guide.
10. 5 Pos. Drop Target Bank with A-13179 Design in Yellow.
11. A-9383 Bullseye Target. (B-9592 Sw. & Target Assem.)
12. A-3722 Ball Guide Rail. (Wire Form) (2)
13. A-14571 Ball Guide Rail. (Wire Form) (1)
14. A-14572 Ball Guide Rail. (Wire Form) (1)
15. A-13798 Ball Snubber Rail. (Wire Form) (2)
16. C-7393 Wood Rail. (Left Side)
17. C-9771 Wood Rail. (Center)
18. C-13977 Wood Rail. (Right Side)
19. C-13150 Flipper (White).
20. A-10542 Steel Pin. (6)
21. D-4806 Top Arch with "G" & "6, 7" Pos.
22. D-13647-A Card Holder.
23. C-9767 Ball Shooter Gage.
24. A-14792 Mini Post Screw. (4)
25. A-15837 Kicking Rubber.
26. A-15839 Kicking Rubber.

C-11561 White Plastic Post (1" High. (39)

A-14487 Split Post Base (4)
A-14488 Split Post Cap (4)

LIB. = LIBERAL.
CON. = CONSERVATIVE.



SPIRIT OF '76 PIONEER

PLAYBOARD INFORMATION

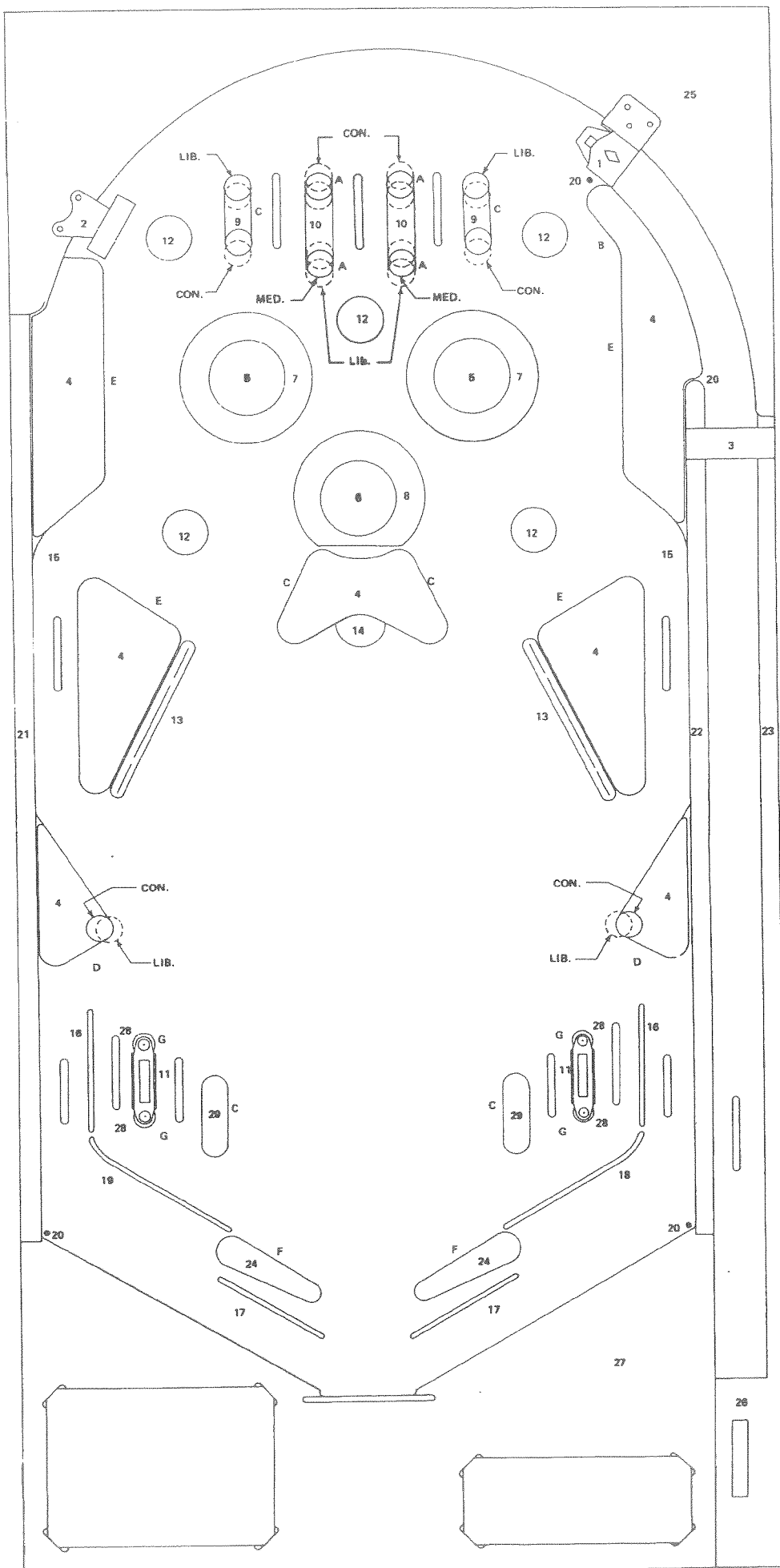
RUBBER RINGS

- A - A-10217 ^{5/16} (4)
 - B - A-10218 ^{3/4} (1)
 - C - A-10219 ¹ (6)
 - D - A-10220 ^{1 1/2} (2)
 - E - A-10223 ³ (4)
 - F - A-13151 (2) ^{1 1/2 X 3/8}
 - G - A-15705 (4) ^{27/64 or 7/16}
- Mini Post Screw

PARTS LIST

1. A-3290 Ball Gate.
 2. A-9143 Ball Rebound Rubber.
 3. A-8215 Ball Deflector.
 4. C-15873 Plastic Shield Set.
 5. Blue Pop Bumper A-13904 and White Cap A-15200 in Red & Blue.
 6. Red Pop Bumper A-13904 and White Cap A-15200 in Red & Blue.
 7. B-8246 Pop Bumper Platter.
 8. A-10234 Pop Bumper Trimmed Platter.
 9. A-9393 Red Plastic Ball Guide.
 10. A-9396 White Plastic Ball Guide.
 11. C-15647 White Plastic Mini Post Rollover Guide.
 12. D-11968 White Plastic Rollover Button.
 13. 4 Pos. Drop Target Bank (L) 1, 7, 7, 6 (R) 1, 9, 7, 6 Both with black design.
 14. C-15707 Red Plastic Hole Base Plate.
 15. B-13891 Metal Flat Rail.
 16. A-4832 Ball Guide Rail. (Wire Form) (2)
 17. A-13798 Ball Snubber Rail. (Wire Form) (2)
 18. A-14571 Ball Guide Rail. (Wire Form) (1)
 19. A-14572 Ball Guide Rail. (Wire Form) (1)
 20. A-10542 Steel Pin. (5)
 21. C-7393 Wood Rail. (Left Side)
 22. C-9771 Wood Rail. (Center)
 23. C-13977 Wood Rail. (Right Side)
 24. C-13150 Flipper (White)
 25. D-4806 Top Arch, with "G" & "3, 4" Pos.
 26. C-9767 Ball Shooter Gage.
 27. D-13647-1A Card Holder.
 28. A-14792 Mini Post Screw. (4)
 29. A-9393 White Plastic Ball Guide.
- C-11561 White Plastic Post 1" High (38)

LIB. = LIBERAL.
CON. = CONSERVATIVE.
MED. = MEDIUM.



SURE SHOT

PLAYBOARD INFORMATION

RUBBER RINGS

A	- A-10217	(22)
B	- A-10220	(3)
C	- A-10221	(1)
D	- A-10223	(2)
E	- A-13151	(2)

PARTS LIST

- A-3290 Ball Gate.
 - A-9143 Ball Rebound Rubber.
 - A-8215 Ball Deflector.
 - B-16049 Plastic Shield Set.
 - Green Pop Bumper A-10436 and A-11826 Cap Stamped in Red.
 - B-8246 Pop Bumper Platter.
 - A-10234 Pop Bumper Trim Platter.
 - A-9393 Red Plastic Guide Rail.
 - A-9394 Red Plastic Guide Rail.
 - A-9395 Red Plastic Guide Rail.
 - A-9383 Bullseye Target (B-9592 Sw. & Target Assem.)
 - C-15707 Red Plastic Hole Base Plate.
 - A-16038 Ball Snubber Guard. (Under Plastic Shield) (2)
 - A-4246 Ball Guide Rail. (Wire Form) (1)
 - A-4832 Ball Guide Rail. (Wire Form) (4)
 - A-13798 Ball Snubber Rail. (Wire Form) (2)
 - A-14571 Ball Guide Rail. (Wire Form) (1)
 - A-14572 Ball Guide Rail. (Wire Form) (1)
 - A-16036 Ball Guide Rail. (Wire Form) (1)
 - A-16037 Ball Guide Rail. (Wire Form) (1)
 - B-13874 Metal Flat Rail.
 - A-10542 Steel Pin (4)
 - C-7393 Wood Rail. (Left Side)
 - C-9771 Wood Rail. (Center)
 - C-13977 Wood Rail. (Right Side)
 - A-15836 Contact Kicker.
 - A-15838 Contact Kicker.
 - D-4806 Top Arch. (With "G" & "5-6" Pos.)
 - C-13150 Flippers (White).
 - C-9767 Ball Shooter Gage.
 - D-13647 Card Holder.
- C-11561 White Plastic Post 1" High (40)
C-11562 White Plastic Post 1-3/16" High (3)

CON. = CONSERVATIVE.
LIB. = LIBERAL.

ROYAL FLUSH CARD WHIZ

NOTE: Target Adjustment made on
underside of Playboard.

LIB. = LIBERAL.
MED. = MEDIUM.
CON. = CONSERVATIVE.

PLAYBOARD INFORMATION

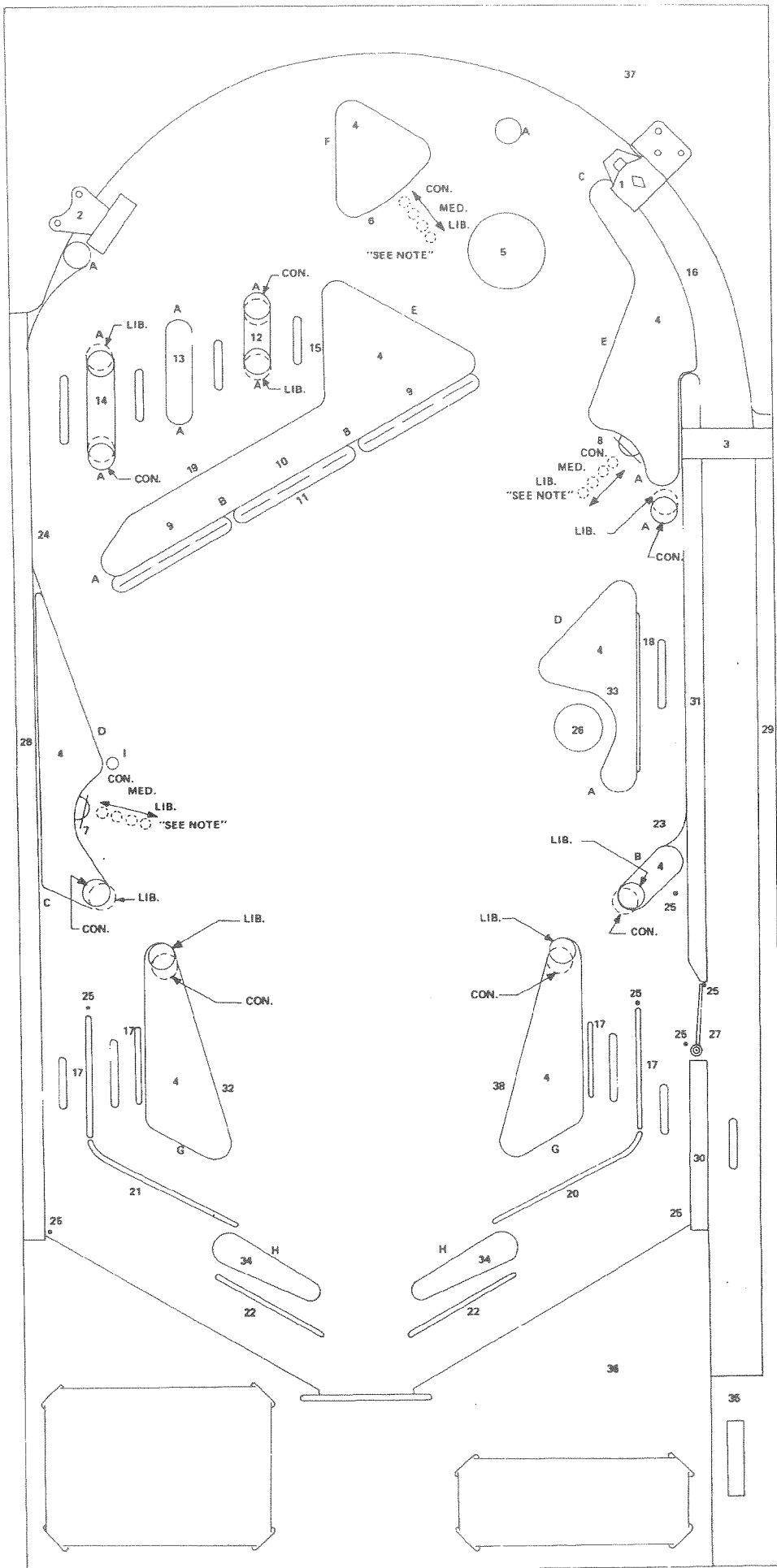
RUBBER RINGS

A	- A-10217	(12)
B	- A-10218	(3)
C	- A-10219	(2)
D	- A-10220	(2)
E	- A-10221	(2)
F	- A-10222	(1)
G	- A-10223	(2)
H	- A-13151	(2)
I	- A-14793	(1)

Mini Post

PARTS LIST

1. A-3290 Ball Gate.
 2. A-9143 Ball Rebound Rubber.
 3. A-8215 Ball Deflector.
 4. C-15645 Plastic Shield Set.
 5. Red Pop Bumper A-10436 and
A-15745 Cap Stamped in Blue.
 6. White Target (B-15653 Sw. &
Target Assem.)
 7. Green Target (B-15771 Sw. &
Target Assem.)
 8. Purple Target (B-15771 Sw. &
Target Assem.)
 9. A-15747 Dip Target Stamped
in Blue.
 10. A-15749 Dip Target Stamped
in Red.
 11. 9 Pos. Drop Target A, K, K, Q,
Q, Q, J, J, 10
 12. A-9394 Yellow Plastic Guide Rail.
 13. A-9396 Yellow Plastic Guide Rail.
 14. A-9398 Yellow Plastic Guide Rail.
 15. A-3722 Ball Guide Rail. (Wire
Form) (1)
 16. A-4831 Ball Guide Rail. (Wire
Form) (1)
 17. A-6612 Ball Guide Rail. (Wire
Form) (2)
 18. A-4833 Ball Guide Rail. (Wire
Form) (1)
 19. A-12570 Ball Guide Rail. (Wire
Form) (1)
 20. A-14571 Ball Guide Rail. (Wire
Form) (1)
 21. A-14572 Ball Guide Rail. (Wire
Form) (1)
 22. A-13798 Ball Snubber Rail.
(Wire Form) (2)
 23. A-8688 Metal Flat Rail.
 24. B-15629 Metal Flat Rail.
 25. A-10542 Steel Pin. (7)
 26. C-15707 Red Plastic Hole Base Plate.
 27. A-13652 Ball Return Gate.
 28. C-7393 Wood Rail. (Left Side)
 29. C-13977 Wood Rail. (Right Side)
 30. A-15627 Wood Rail. (Center
Bottom)
 31. B-15628 Wood Rail. (Center Top)
 32. A-15838 Contact Kicker.
 33. A-5867 Hole Guard.
 34. C-13150 Flippers (White).
 35. C-9767 Ball Shooter Gage.
 36. D-13647 Card Holder.
 37. D-4806 Top Arch. (with "F" &
"3", "4" Pos.)
 38. A-15836 Contact Kicker.
- C-11561 White Plastic Post 1" High. (39)
A-14792 Mini Post Screw. (2)



BUCCANEER

PLAYBOARD INFORMATION

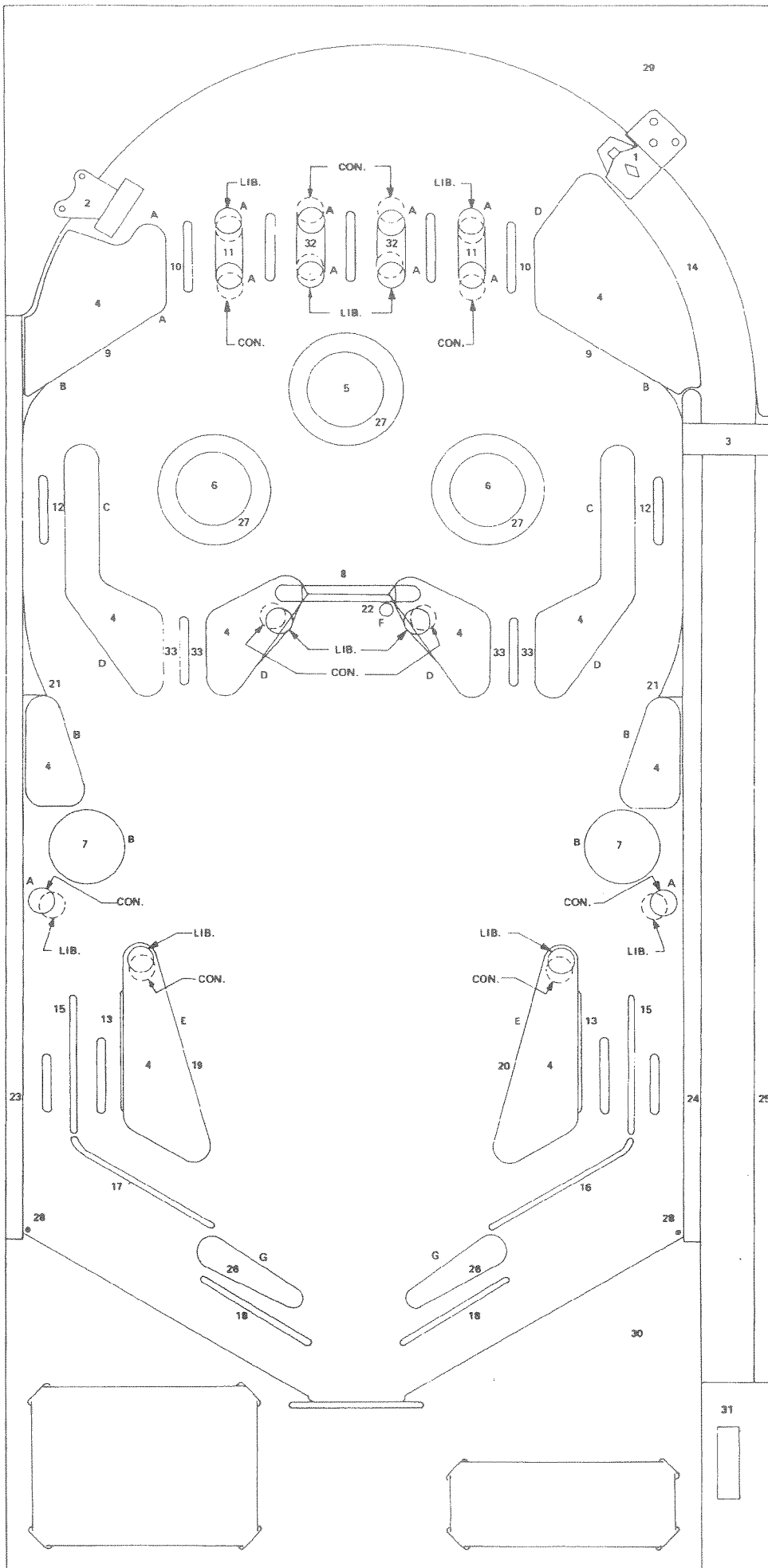
RUBBER RINGS

A - A-10217	(12)
B - A-10219	(6)
C - A-10220	(2)
D - A-10221	(5)
E - A-10223	(2)
F - A-15705	(1)
	(Mini Post Screw)
G - A-13151	(2)

PARTS LIST

1. A-3290 Ball Gate.
 2. A-9143 Ball Rebound Rubber.
 3. A-8215 Ball Deflector.
 4. C-16236 Plastic Shield Set.
 5. Red Pop Bumper A-10436 and A-11826 Cap Stamped in Red.
 6. Blue Pop Bumper A-10436 and A-15200 Cap Stamped in Red and Blue.
 7. Yellow Bumper A-10436 and A-15200 Cap Stamped in Red and Blue.
 8. A-16439 Spinning Target.
 9. A-9383 Bullseye Target. (B-9591 Sw. & Target Assem.)
 10. A-9393 White Plastic Ball Guide. (2)
 11. A-9394 White Plastic Ball Guide. (2)
 12. A-9397 White Plastic Ball Guide. (2)
 13. A-4832 Ball Guide Rail - Wire Form. (2)
 14. A-4246 Ball Guide Rail - Wire Form. (1)
 15. A-13782 Ball Guide Rail - Wire Form. (2)
 16. A-14571 Ball Guide Rail - Wire Form. (1)
 17. A-14572 Ball Guide Rail - Wire Form. (1)
 18. A-13798 Ball Snubber Rail - Wire Form. (2)
 19. A-15836 Kicking Rubber.
 20. A-15838 Kicking Rubber.
 21. B-16248 Metal Flat Rail. (2)
 22. A-14792 Mini Post Screw. (1)
 23. C-7393 Left Side Wood Rail.
 24. C-9771 Center Wood Rail.
 25. C-13977 Right Side Wood Rail.
 26. C-13150 White Flipper.
 27. B-8246 Pop Bumper Platter. (3)
 28. A-10542 Steel Pin. (2)
 29. D-4806 Top Arch with "G" & "4-5" Pos.
 30. D-13647-1A Card Holder.
 31. C-9767 Ball Shooter Gage.
 32. A-9394 Red Plastic Ball Guide. (2)
 33. A-9393 Red Plastic Ball Guide. (4)
- C-11561 White Plastic Post 1" High (49) (2) Socket Mounting Disc.
 C-11562 White Plastic Post 1-3/16" High (2) Socket Mounting Disc. (Under Side of Playboard)

LIB. = LIBERAL.
 CON. = CONSERVATIVE.



SURF CHAMP SURFER

PLAYBOARD INFORMATION

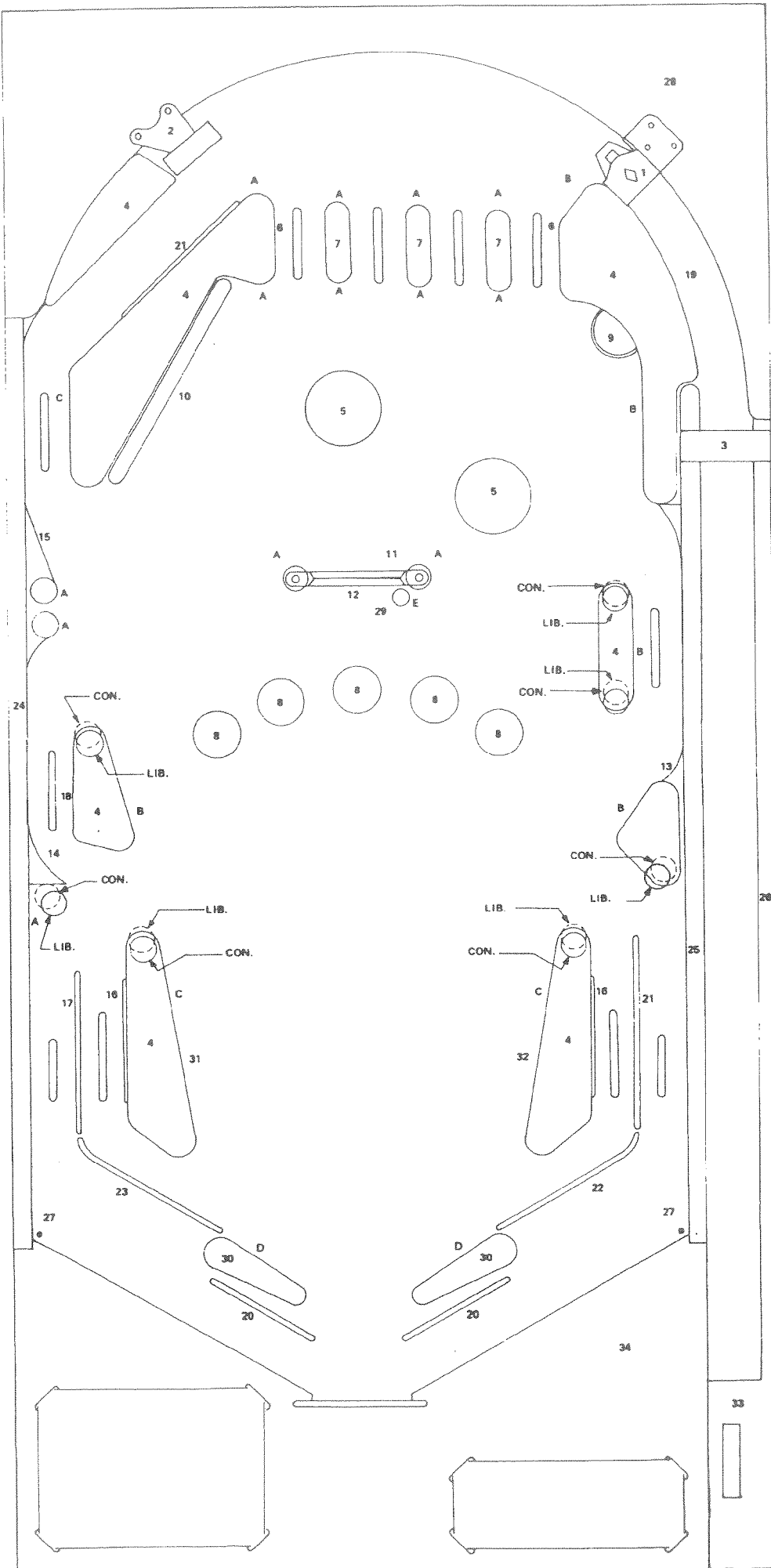
RUBBER RINGS

A - A-10217	(13)
B - A-10220	(5)
C - A-10223	(3)
D - A-13151	(2)
E - A-15705	(1)

PARTS LIST

- A-3290 Ball Gate.
- A-9143 Ball Rebound Rubber.
- A-8215 Ball Deflector.
- C-16111 Plastic Shield Set.
- Blue Pop Bumper A-10436 and A-15200 Cap in Red & Blue.
- A-9393 Green Plastic Ball Guide.
- A-9394 Green Plastic Ball Guide.
- D-11966 Red Rollover Insert with D-11968 White Button.
- C-15707 Yellow Plastic Hole Base with C-15708 Sw. Arm.
- 5 Pos. Drop Target Bank with A-16115 Design in Red.
- A-14043 Spinning Target Shield.
- A-16116 Spinning Target.
- A-11071 Metal Flat Rail.
- A-13101 Metal Flat Rail.
- A-16118 Metal Flat Rail.
- A-4832 Ball Guide Rail. (Wire Form) (2)
- A-4833 Ball Guide Rail. (Wire Form) (1)
- A-6931 Ball Guide Rail. (Wire Form) (1)
- A-8514 Ball Guide Rail. (Wire Form) (1)
- A-13798 Ball Snubber Rail. (Wire Form) (2)
- A-13833 Ball Guide Rail. (Wire Form) (2)
- A-14571 Ball Guide Rail. (Wire Form) (1)
- A-14572 Ball Guide Rail. (Wire Form) (1)
- C-7393 Wood Rail. (Left Side)
- C-9771 Wood Rail. (Center)
- C-13977 Wood Rail. (Right Side)
- A-10542 Steel Pin. (2)
- A-4806 Top Arch with "F", "7, 8" Pos.
- A-14792 Mini Post Screw. (3)
- C-13150 Flipper (White)
- A-15836 Kicking Rubber.
- A-15838 Kicking Rubber.
- C-9767 Ball Shooter Gage.
- D-13647-1A Card Holder.
- C-11561 White Plastic Post (1") High. (34)
- A-14487 White Split Post Base. (2)
- A-14488 White Split Post Cap. (2)

LIB. = LIBERAL.
CON. = CONSERVATIVE.



VOLLEY

PLAYBOARD INFORMATION

RUBBER RINGS

A	- A-10217	(4)
B	- A-10219	(2)
C	- A-10220	(3)
D	- A-10221	(3)
E	- A-10223	(2)
F	- A-10224	(3)
G	- A-13151	(2)
H	- A-15705	(2)

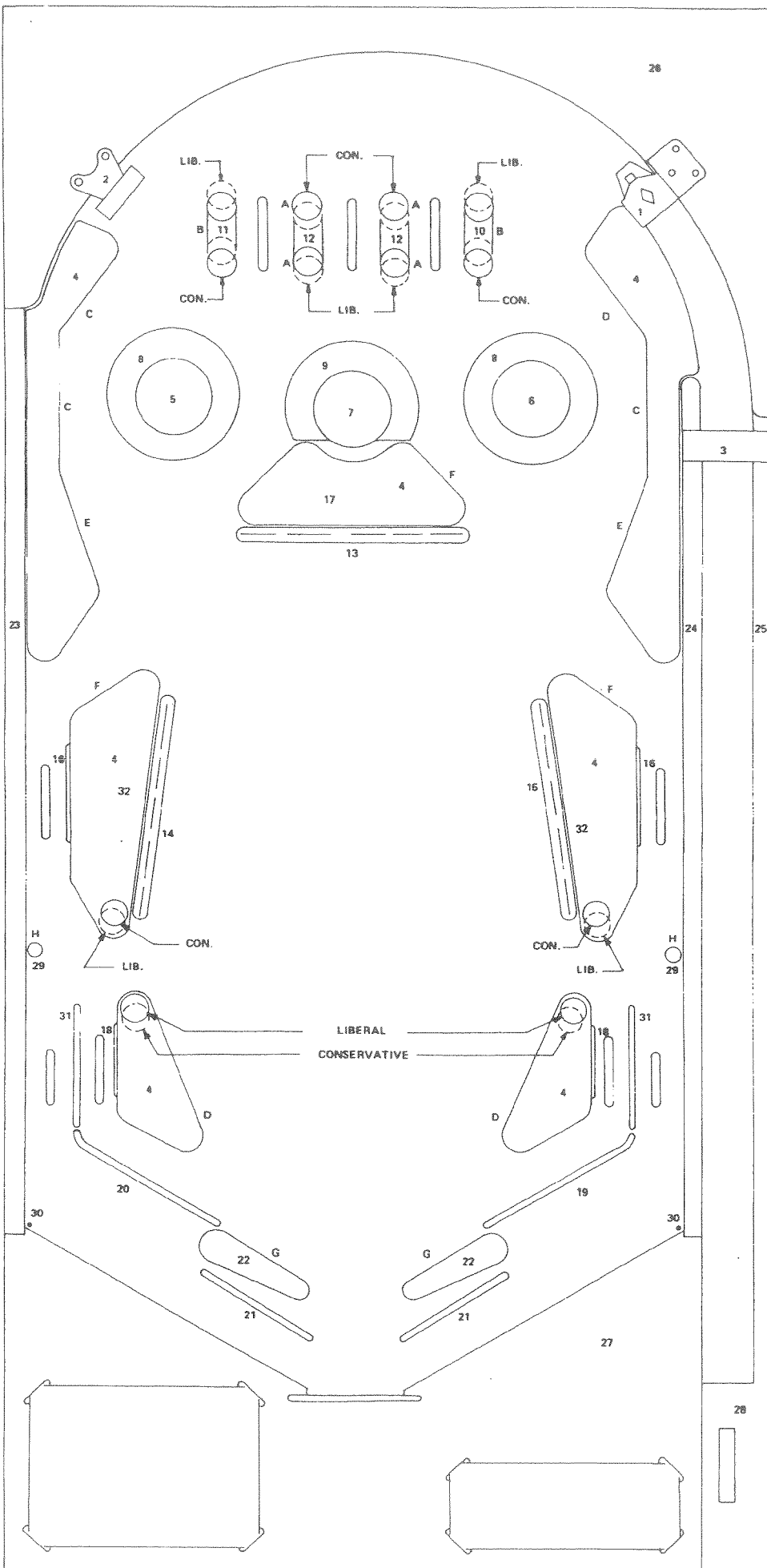
PARTS LIST

1. A-3290 Ball Gate.
2. A-9143 Ball Rebound Rubber.
3. A-8215 Ball Deflector.
4. C-16373 Plastic Shield Set.
5. Blue Pop Bumper A-10436 and A-16883 Cap in Blue.
6. Green Pop Bumper A-10436 and A-16883 Cap in Green.
7. Yellow Pop Bumper A-10436 and A-11826 Cap in Red.
8. B-8246 Pop Bumper Platter.
9. A-12672 Pop Bumper Trim Platter.
10. A-9393 Green Plastic Guide Rail. (1)
11. A-9393 Blue Plastic Guide Rail. (1)
12. A-9394 Yellow Plastic Guide Rail. (2)
13. 5 Pos. Drop Target Bank, Design in Yellow & White.
14. 5 Pos. Drop Target Bank, Design in Blue & White.
15. 5 Pos. Drop Target Bank, Design in Green & White.
16. A-4832 Ball Guide Rail. (Wire Form) (2)
17. A-13782 Ball Guide Rail. (Wire Form) (1)
18. A-6612 Ball Guide Rail. (Wire Form) (2)
19. A-14571 Ball Guide Rail. (Wire Form) (1)
20. A-14572 Ball Guide Rail. (Wire Form) (1)
21. A-13798 Ball Snubber Rail. (Wire Form) (2)
22. C-13150 Flippers. (2)
23. C-7393 Wood Rail. (Left Side)
24. C-9771 Wood Rail. (Center Rail)
25. C-13977 Wood Rail. (Right Side)
26. D-4806 Top Arch. (With "4-5" & "E" Pos.)
27. D-13647 Card Holder.
28. C-9767 Ball Shooter Gage.
29. A-14792 Mini Post Screw. (2)
30. A-10542 Steel Pin. (2)
31. A-17106 Ball Guide Rail. (Wire Form) (2)
32. A-13833 Ball Guide Rail. (Wire Form) (2)

C-11561 White Plastic Post 1" High (42)

CON. = CONSERVATIVE.

LIB. = LIBERAL.



CANADA DRY

PLAYBOARD INFORMATION

RUBBER RINGS

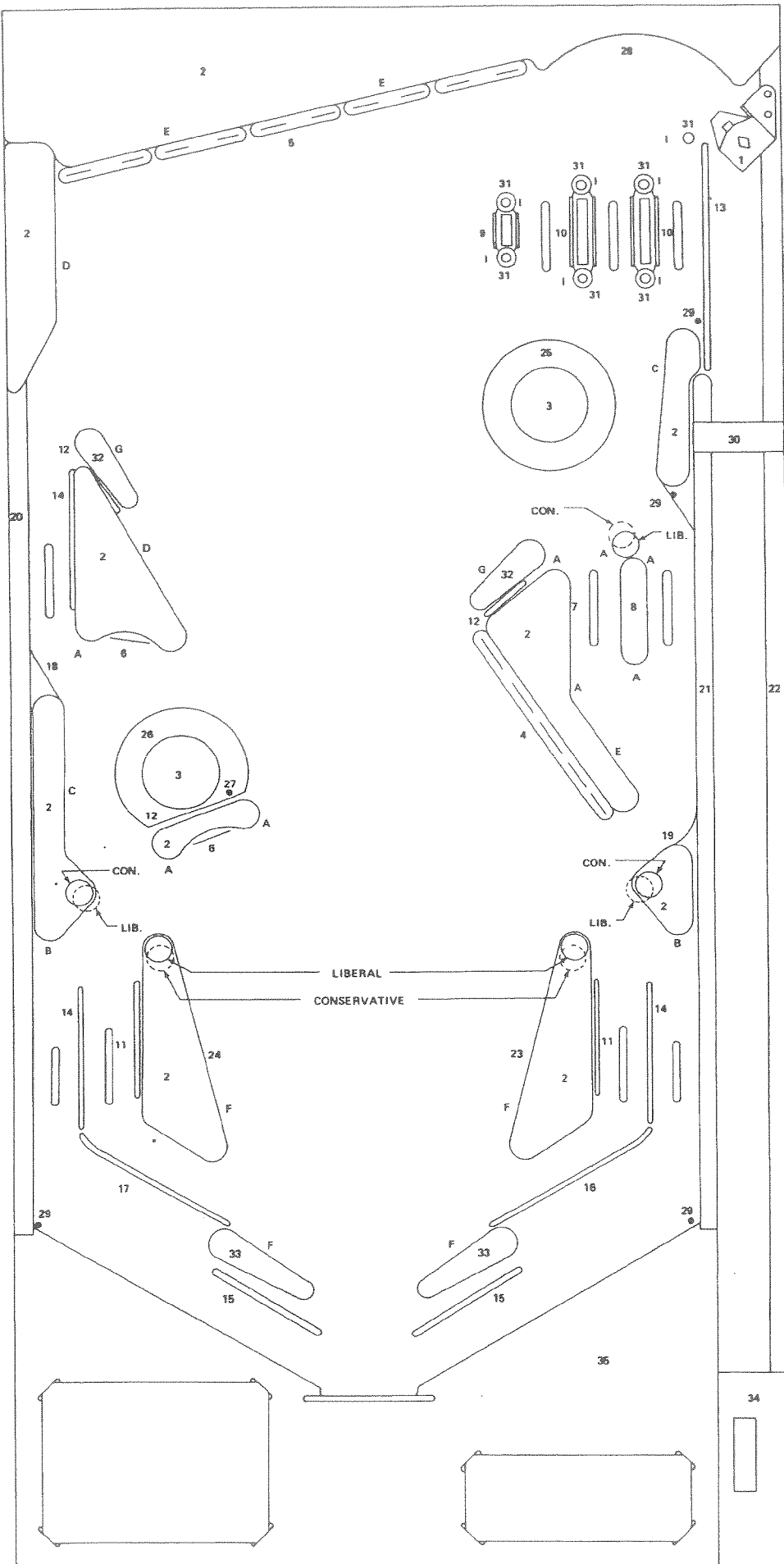
A	- A-10217	(8)
B	- A-10219	(2)
C	- A-10221	(2)
D	- A-10222	(2)
E	- A-10223	(6)
F	- A-10224	(2)
G	- A-13149	(2)
H	- A-13151	(2)
I	- A-15705	(7)

Mini Post Screw

PARTS LIST

1. A-15550 Ball Gate.
 2. C-15565 Plastic Shield Set.
 3. Red Pop Bumper A-13905 and A-13859 Cap Stamped in Red.
 4. Red Drop Target 5 Bank -- D-R-I-N-K.
 5. Red Drop Target 10 Bank -- C-A-N-A-D-A D-R-Y.
 6. A-9383 Bullseye Target (B-9591 Sw. & Target Assem.)
 7. A-9393 Red Plastic Ball Guide.
 8. A-9396 Red Plastic Ball Guide.
 9. C-15646 Red Mini Post Rollover Guide.
 10. C-15648 Red Mini Post Rollover Guide.
 11. A-4832 Ball Guide Rail. (Wire Form).
 12. A-6931 Ball Guide Rail. (Wire Form).
 13. A-11703 Ball Guide Rail. (Wire Form).
 14. A-13782 Ball Guide Rail. (Wire Form).
 15. A-13798 Ball Snubber Guide Rail. (Wire Form).
 16. A-14571 Ball Guide Rail. (Wire Form).
 17. A-14572 Ball Guide Rail. (Wire Form).
 18. B-15551 Ball Guide Flat Rail.
 19. B-15609 Ball Guide Flat Rail.
 20. B-14880 Wood Rail Left Side.
 21. C-9771 Wood Rail Center.
 22. C-15552 Wood Rail Right Side.
 23. A-15836 Contact Kicker.
 24. A-15838 Contact Kicker.
 25. B-8246 Bumper Platter.
 26. A-15576 Bumper Platter Special.
 27. Escutcheon Pin (Under Mylar).
 28. A-16186 Top Arch Track.
 29. A-10542 Steel Pin (5).
 30. A-8215 Ball Deflector.
 31. A-14792 Mini Post Screw (7)
 32. C-11241 Flipper.
 33. C-13150 Flipper.
 34. C-9767 Ball Shooter Gage.
 35. D-13647 Card Holder.
- C-11561 White Plastic Post (34)
1" High.
- A-14487 Split Post Base. (1).
A-14488 Split Post Cap. (1).

LIB. = LIBERAL.
CON. = CONSERVATIVE.



TARGET ALPHA SOLAR CITY

PLAYBOARD INFORMATION

RUBBER RINGS

A - A-10217	(8)
B - A-10219	(2)
C - A-10221	(2)
D - A-10222	(2)
E - A-10223	(6)
F - A-10224	(2)
G - A-13149	(2)
H - A-13151	(2)
I - A-15705	(7)

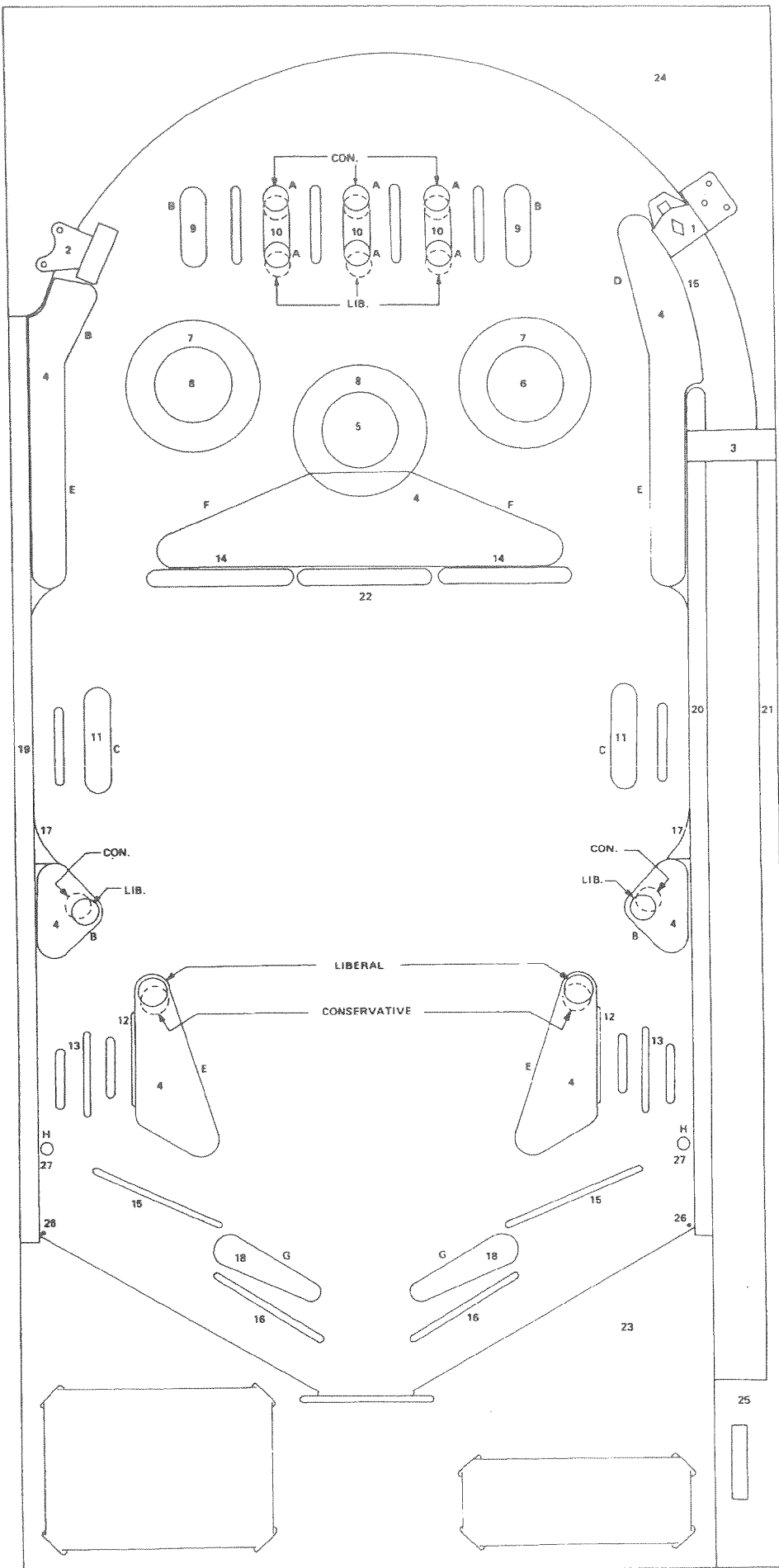
Mini Post Screw

PARTS LIST

1. A-15550 Ball Gate.
 2. C-15565 Plastic Shield Set.
 3. Red Pop Bumper A-13905 and A-13859 Cap Stamped in Red.
 4. Red Drop Target 5 Bank.
 5. Red Drop Target 10 Bank.
 6. A-9383 Bullseye Target (B-9591 Sw. and Target Assem.)
 7. A-9393 Red Plastic Ball Guide. (1)
 8. A-9396 Red Plastic Ball Guide. (1)
 9. C-15646 Red Mini Post Rollover Guide. (1)
 10. C-15648 Red Mini Post Rollover Guide. (2)
 11. A-4832 Ball Guide Rail. (Wire Form) (2)
 12. A-6931 Ball Guide Rail. (Wire Form) (3)
 13. A-11703 Ball Guide Rail. (Wire Form) (1)
 14. A-13782 Ball Guide Rail. (Wire Form) (2)
 15. A-13798 Ball Snubber Guide Rail. (Wire Form) (2)
 16. A-14571 Ball Guide Rail. (Wire Form) (1)
 17. A-14572 Ball Guide Rail. (Wire Form) (1)
 18. B-15551 Ball Guide Flat Rail.
 19. B-15609 Ball Guide Flat Rail.
 20. B-14880 Wood Rail Left Side.
 21. C-9771 Wood Rail Center.
 22. C-15552 Wood Rail Right Side.
 23. A-15836 Contact Kicker.
 24. A-15838 Contact Kicker.
 25. B-8246 Bumper Platter.
 26. A-15576 Bumper Platter Special.
 27. Escutcheon Pin (Under Mylar).
 28. A-16186 Top Arch Track.
 29. A-10542 Steel Pin (5).
 30. A-8215 Ball Deflector.
 31. A-14792 Mini Post Screw (9)
 32. C-11241 Flipper.
 33. C-13150 Flipper.
 34. C-9767 Ball Shooter Gage.
 35. D-13647 Card Holder.
 36. A-1914 Ball Guide Rail. (Wire Form) (3)
- C-11561 White Plastic Post (34)
1" High
A-14487 Split Post Base. (1).
A-14488 Split Post Cap. (1).

LIB. = LIBERAL.
CON. = CONSERVATIVE.

JACKS OPEN



PLAYBOARD INFORMATION

RUBBER RINGS

A - A-10217	(6)
B - A-10219	(5)
C - A-10220	(2)
D - A-10221	(1)
E - A-10222	(4)
F - A-10223	(2)
G - A-13151	(2)
H - A-15705	(2)

Mini Post Screw

PARTS LIST

1. A-3290 Ball Gate.
2. A-9143 Ball Rebound Rubber.
3. A-8215 Ball Deflector.
4. C-16410 Plastic Shield Set.
5. Blue Pop Bumper A-10436 and A-11826 Cap in Red.
6. Yellow Pop Bumper A-10436 and A-11426 Cap in Blue.
7. B-8246 Pop Bumper Platter. (2)
8. A-12672 Pop Bumper Trim Platter.
9. A-9393 White Plastic Ball Guide. (2)
10. A-9394 White Plastic Ball Guide. (3)
11. A-9395 Yellow Plastic Ball Guide. (2)
12. A-3722 Ball Guide Rail. (Wire Form) (2)
13. A-4831 Ball Guide Rail. (Wire Form) (2)
14. A-4832 Ball Guide Rail. (Wire Form) (2)
15. A-13782 Ball Guide Rail. (Wire Form) (3)
16. A-13798 Ball Snubber Rail. (Wire Form) (2)
17. A-11071 Metal Flat Rail. (2)
18. C-13150 Flippers. (2)
19. C-7393 Wood Rail. (Left Side)
20. C-9771 Wood Rail. (Center Rail)
21. C-13977 Wood Rail. (Right Side)
22. 9 Pos. Drop Target Bank.
23. D-13647-1A Card Holder.
24. D-4806 Top Arch with ("D" & "2-3" Pos.)
25. C-9767 Ball Shooter Gage.
26. A-10542 Steel Pin. (2)
27. A-14792 Mini Post Screw. (2)

C-11561 White Plastic Post 1" High. (36)
 C-11562 White Plastic Post 1-3/16" High. (4)

LIB. = LIBERAL.
 CON. = CONSERVATIVE.

BRONCO MUSTANG

PLAYBOARD INFORMATION

RUBBER RINGS

A	- A-10217	5/16	(4)
B	- A-10219	1/4	(2)
C	- A-10220	1/2	(3)
D	- A-10221	3/8	(1)
E	- A-10222	3/4	(4)
F	- A-13151		(2) 1 1/2 x 3/8
G	- A-15705		(3) 2 3/8 or 7/16

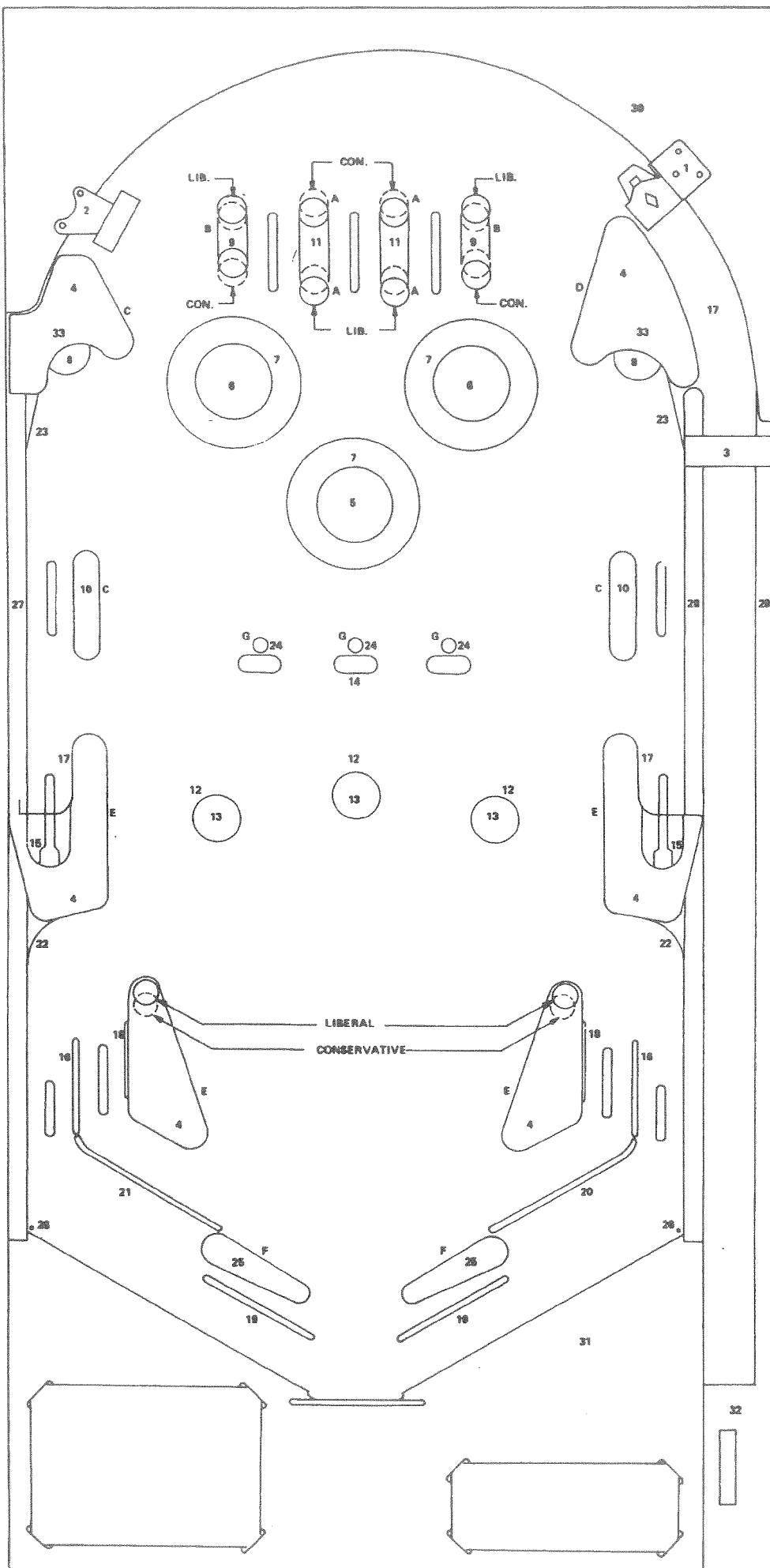
(Mini Post Screw)

PARTS LIST

1. A-3290 Ball Gate.
2. A-9143 Ball Rebound Rubber.
3. A-8215 Ball Deflector.
4. C-16716 Plastic Shield Set.
5. Red Pop Bumper A-10436 and A-11426 Cap Stamped in Blue.
6. Yellow Pop Bumper A-10436 and A-15200 Cap Stamped in Blue.
7. B-8246 Pop Bumper Platter.
8. C-15707 Red Plastic Base Plate with C-15708 Switch Arm.
9. A-9393 White Plastic Ball Guide (2)
10. A-9395 White Plastic Ball Guide. (2)
11. A-9396 Red Plastic Ball Guide. (2)
12. D-11966 Red Plastic Rollover Insert. (3)
13. D-11968 White Plastic Rollover Button. (3)
14. 3 Pos. Drop Target Bank with A-15665 Target Stamped in Gold.
15. A-16701 Ball Kicker. (2)
16. A-3722 Ball Guide Rail. Wire Form (2)
17. A-4832 Ball Guide Rail. Wire Form (3)
18. A-6612 Ball Guide Rail. Wire Form (2)
19. A-13798 Ball Snubber Rail. Wire Form (2)
20. A-14571 Ball Guide Rail. Wire Form (1)
21. A-14572 Ball Guide Rail. Wire Form (1)
22. A-6054 Metal Flat Rail. (2)
23. A-16451 Metal Flat Rail. (2)
24. A-14792 Mini Post Screw. (3)
25. C-13150 White Flipper. (2)
26. A-10542 Steel Pin. (2)
27. C-7393 Wood Rail. (Left Side)
28. C-9771 Wood Rail. (Center)
29. C-13977 Wood Rail. (Right Side)
30. D-4806 Top Arch with "E" & "3"- "4" Pos.
31. D-13647-1A Card Holder.
32. C-9767 Ball Shooter Gage.
33. A-16038 Ball Hole Snubber. (2)

C-11561 White Plastic Post 1" High (29)

LIB. = LIBERAL.
CON. = CONSERVATIVE.



BIG HIT

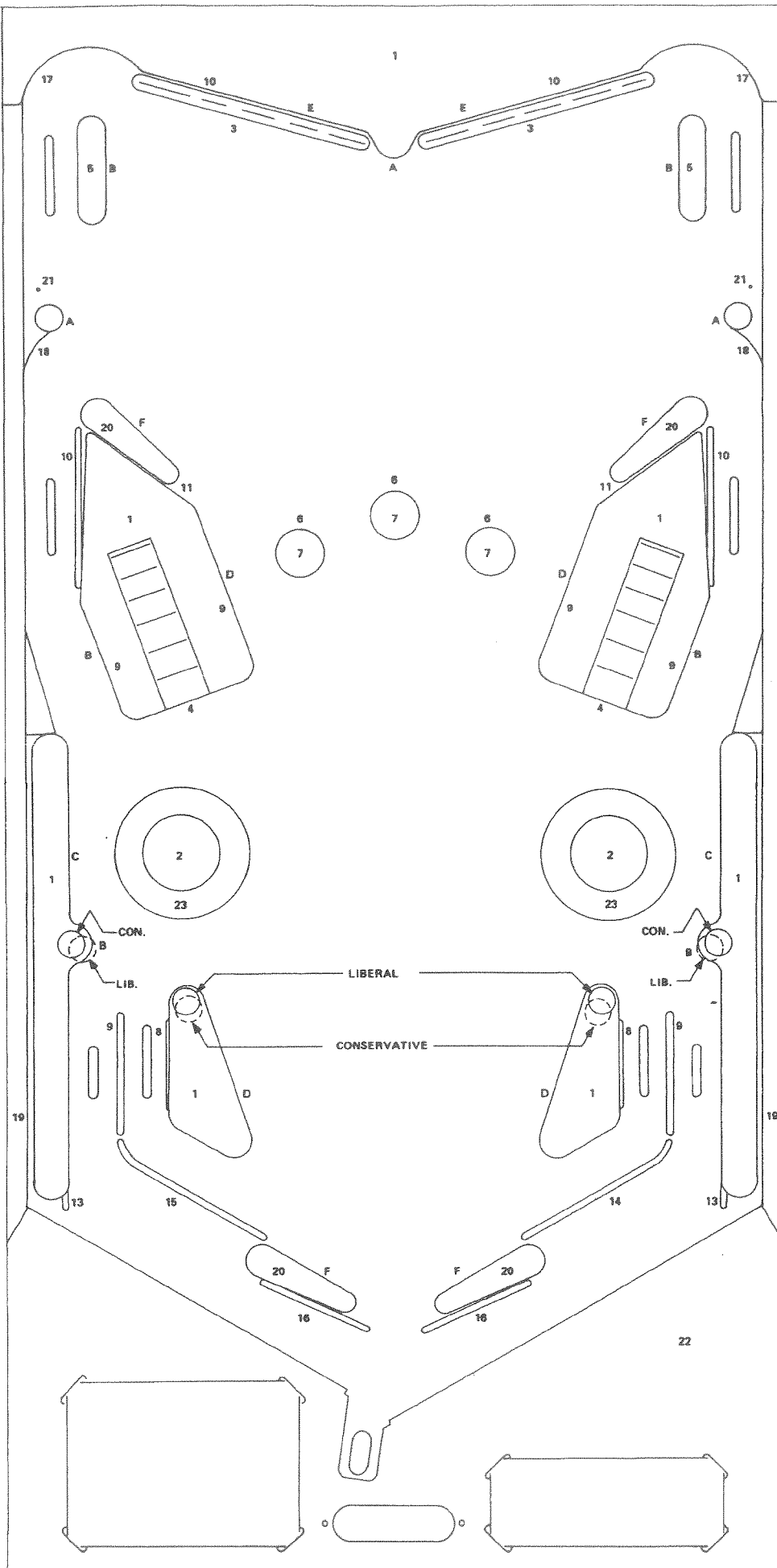
PLAYBOARD INFORMATION

RUBBER RINGS

A	- A-10217	(3)
B	- A-10220	(6)
C	- A-10221	(2)
D	- A-10222	(4)
E	- A-10223	(4)
F	- A-13151	(4)

PARTS LIST

- C-16755 Plastic Shield Set.
 - Blue Pop Bumper A-13904 and A-14401 White Cap Stamped in Red.
 - 5 Pos. Drop Target Bank.
 - B-11535 Vari-Target Arm & Cam.
 - A-9395 Green Plastic Ball Guide. (2)
 - D-11966 Red Plastic Rollover Insert. (3)
 - D-11968 White Plastic Rollover Button. (3)
 - A-3722 Ball Guide Rail - Wire Form. (2)
 - A-4832 Ball Guide Rail - Wire Form. (6)
 - A-4833 Ball Guide Rail - Wire Form. (4)
 - A-6931 Ball Guide Rail - Wire Form. (2)
 - A-8903 Ball Guide Rail - Wire Form. (1)
 - A-9478 Ball Guide Rail - Wire Form. (1)
 - A-14571 Ball Guide Rail - Wire Form. (1)
 - A-14572 Ball Guide Rail - Wire Form. (1)
 - A-13798 Ball Snubber Rail - Wire Form. (2)
 - B-13602 Metal Flat Rail. (2)
 - B-16709 Metal Flat Rail. (2)
 - B-14880 Wood Side Rail. (2)
 - C-13150 Flipper. (4)
 - A-10542 Steel Pin. (2)
 - E-14910-1A Card Holder.
 - B-8246 Pop Bumper Platter. (2)
- C-11561 White Plastic Post 1" High (35)
 C-11562 White Plastic Post 1-3/16" High (4)
- LIB. = LIBERAL.
 CON. = CONSERVATIVE.



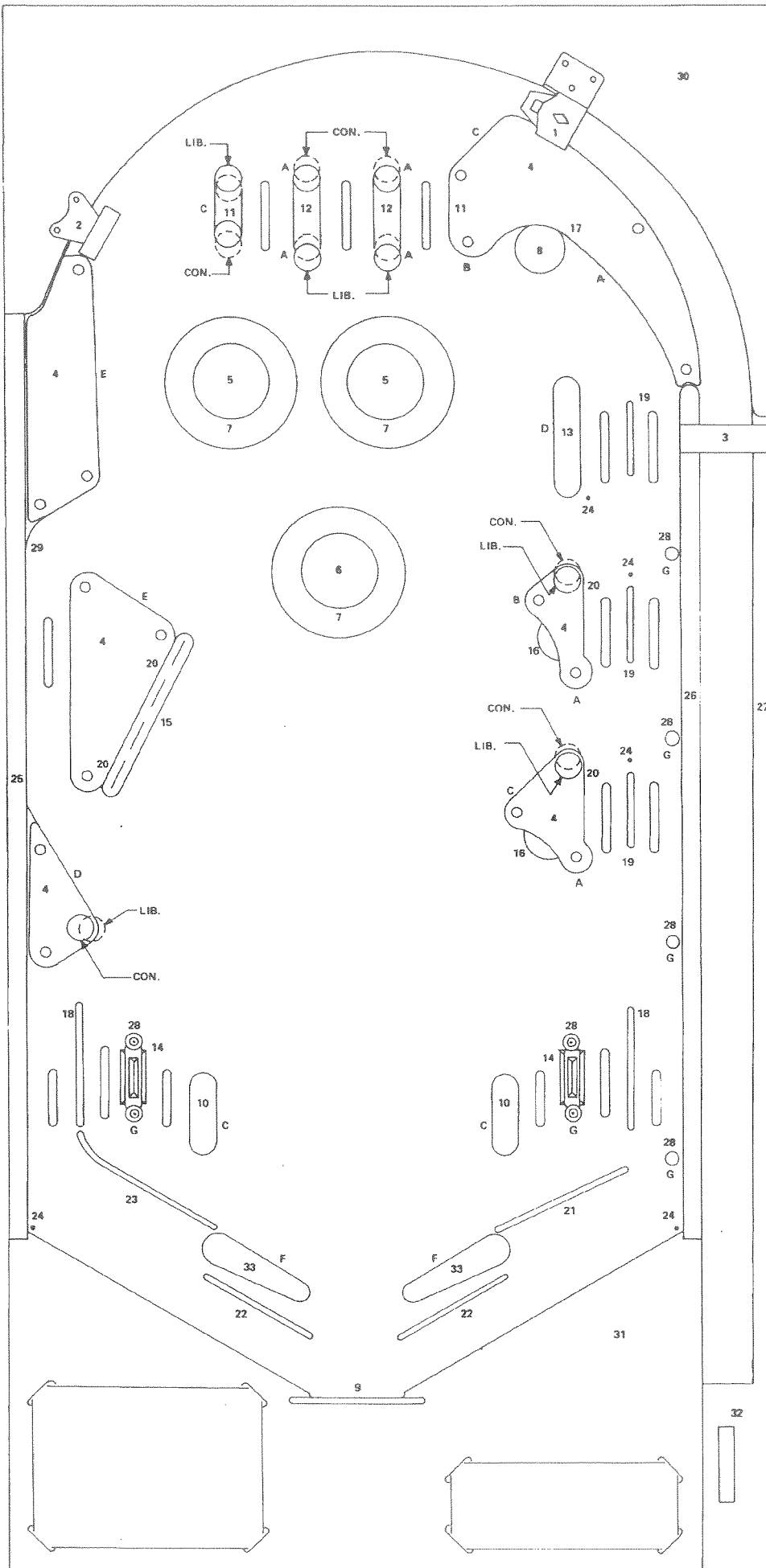
CENTIGRADE 37

PLAYBOARD INFORMATION RUBBER RINGS

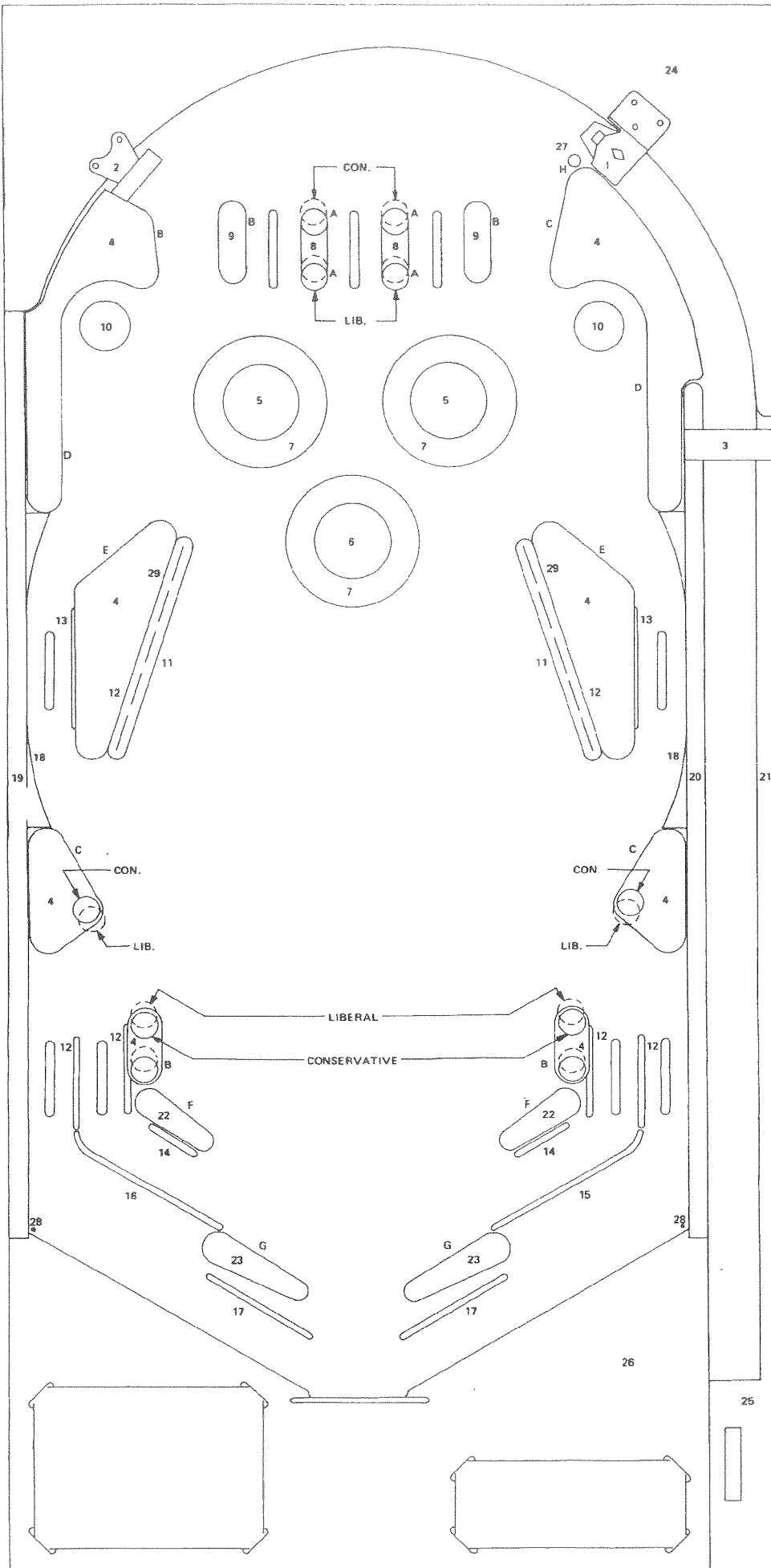
- A - A-10217 (7)
 - B - A-10218 (2)
 - C - A-10219 (5)
 - D - A-10220 (2)
 - E - A-10223 (2)
 - F - A-13151 (2) Red
 - G - A-15705 (8)
- (Mini Post Screw)
○ - E-15 Rubber Tip

PARTS LIST

1. A-3290 Ball Gate.
 2. A-9143 Ball Rebound Rubber.
 3. A-8215 Ball Deflector.
 4. C-17042 Plastic Shield Set.
 5. Blue Pop Bumper A-10436 and A-16838 Cap Stamped in Blue.
 6. Red Pop Bumper A-10436 and A-11826 Cap Stamped in Red.
 7. B-8246 Pop Bumper Platter. (3)
 8. C-15707 Red Plastic Base Plate with C-15708 Sw. Arm.
 9. C-15707 White Plastic Base Plate with C-15708 Sw. Arm.
 10. A-9393 Red Plastic Ball Guide. (2)
 11. A-9393 Yellow Plastic Ball Guide. (2)
 12. A-9396 Yellow Plastic Ball Guide. (2)
 13. A-9397 White Plastic Ball Guide. (1)
 14. C-15647 Red Plastic Rollover Guide. (2)
 15. 4 Pos. Drop Target Bank with A-17147 Stamped in Black.
 16. A-9383 Bulls-Eye Target. (B-17132 Target & Sw. Assem.) (2)
 17. A-16038 Ball Snubber. (1)
 18. A-4832 Ball Guide Rail. - (Wire Form) (2)
 19. A-6612 Ball Guide Rail. - (Wire Form) (3)
 20. A-6931 Ball Guide Rail. - (Wire Form) (4)
 21. A-13782 Ball Guide Rail. - (Wire Form) (1)
 22. A-13798 Ball Guide Rail. - (Wire Form) (2)
 23. A-14572 Ball Guide Rail. - (Wire Form) (1)
 24. A-10542 Steel Pin. (5)
 25. C-7393 Wood Rail. (Left Side)
 26. C-9771 Wood Rail. (Center)
 27. C-13977 Wood Rail. (Right Side)
 28. A-14792 Mini Post Screw. (8)
 29. B-13891 Metal Flat Rail. (1)
 30. D-4806 Top Arch with "K" & "3" - "4" Pos.
 31. D-13647-A Card Holder.
 32. C-9767 Ball Shooter Gage.
 33. C-13150 White Flipper. (2)
- C-11561 White Plastic Post 1" High. (31)
C-11562 White Plastic Post 1-3/16" High. (2)
A-14487 White Split Post Base. (3)
A-14488 White Split Post Cap. (3)
CON. = CONSERVATIVE.
LIB. = LIBERAL.



JUNGLE QUEEN JUNGLE PRINCESS



PLAYBOARD INFORMATION

RUBBER RINGS

A - A-10217	(4)
B - A-10219	(5)
C - A-10220	(3)
D - A-10221	(2)
E - A-10223	(2)
F - A-13149	(2) Red
G - A-13151	(2) Red
H - A-15705	(1)

Mini Post Screw

PARTS LIST

1. A-3290 Ball Gate.
 2. A-9143 Ball Rebound Rubber.
 3. A-8215 Ball Deflector.
 4. C-16594 Plastic Shield Set.
 5. Red Pop Bumper A-13904 and A-15915 Cap Stamped in Red.
 6. Blue Pop Bumper A-13904 and A-15915 Cap Stamped in Blue.
 7. B-8246 Pop Bumper Platter. (3)
 8. A-9393 Yellow Plastic Guide Rail. (2)
 9. A-9394 Yellow Plastic Guide Rail. (2)
 10. C-15707 Red Plastic Hole Base Plate. (2)
 11. 5 Pos. Drop Target Bank, with A-17181 Stamped in Green.
 12. A-3722 Ball Guide Rail. - (Wire Form) (6)
 13. A-4832 Ball Guide Rail. - (Wire Form) (2)
 14. A-6931 Ball Guide Rail. - (Wire Form) (2)
 15. A-14571 Ball Guide Rail. - (Wire Form) (1)
 16. A-14572 Ball Guide Rail. - (Wire Form) (1)
 17. A-13798 Ball Snubber Rail. - (Wire Form) (2)
 18. A-16452 Metal Flat Rail. (2)
 19. C-7393 Wood Rail. (Left Side)
 20. C-9771 Wood Rail. (Center)
 21. C-13977 Wood Rail. (Right Side)
 22. C-11241 Small Flipper. (2)
 23. C-13150 Large Flipper. (2)
 24. D-4806 Top Arch. (with "H" & "5 - 6" Pos.)
 25. C-9767 Ball Shooter Gage.
 26. D-13647-1A Card Holder.
 27. A-14792 Mini Post Screw. (1)
 28. A-10542 Steel Pin. (2)
 29. A-17650 Ball Guide Rail. - (Wire Form) (2)
- C-11561 White Plastic Post 1" High. (32)
 A-14487 White Plastic Split Post Base. (4)
 A-14488 White Plastic Split Post Cap. (4)
 #E-15 Rubber Tip
 (For Post Fastening Screw)
- LIB. = LIBERAL.
 CON. = CONSERVATIVE.

JET SPIN SUPER SPIN

**NOTE: TARGET ADJUSTMENTS
MADE ON UNDERSIDE
OF PLAYBOARD**

LIB. = LIBERAL.
MED. = MEDIUM.
CON. = CONSERVATIVE.

PLAYBOARD INFORMATION

RUBBER RINGS

A - A-10217	(3)
B - A-10219	(1)
C - A-10220	(1)
D - A-10221	(3)
E - A-10222	(3)
F - A-10223	(2)
G - A-13151	(2) Red
H - A-15705	(8) Mini Post Screw

PARTS LIST

1. A-3290 Ball Gate.
 2. A-9143 Ball Rebound Rubber.
 3. A-8215 Ball Deflector.
 4. C-16967 Plastic Shield Set.
 5. Red Pop Bumpers A-13904 and A-15200 Cap Stamped in Blue.
 6. B-8246 Pop Bumper Platters.
 7. C-16931 Roto Unit Target Assembly.
 8. A-16962 Roto Unit Shield.
 9. B-11535 Vari-Target Arm & Cam.
 10. C-15707 Red Plastic Hole Base Plate.
 11. C-15707 White Plastic Hole Base Plate.
 12. C-15647 Yellow Plastic Rollover Guides.
 13. A-9383 Bulls-Eye Target.
 14. A-9374 Purple Target. (2)
 15. A-4832 Ball Guide Rail. (Wire Form) (7)
 16. A-4834 Ball Guide Rail. (Wire Form)
 17. A-14571 Ball Guide Rail. (Wire Form)
 18. A-14572 Ball Guide Rail. (Wire Form)
 19. A-13798 Ball Snubber. (Wire Form) (2)
 20. B-16712 Metal Flat Rail.
 21. A-16038 Ball Snubber.
 22. C-13150 White Flippers.
 23. A-15836 Contact Kicker.
 24. A-15838 Contact Kicker.
 25. C-7393 Wood Rail. (Left Side)
 26. C-9771 Wood Rail. (Center)
 27. C-13977 Wood Rail. (Right Side)
 28. A-14792 Mini Post Screw. (8)
 29. A-10542 Steel Pin. (2)
 30. A-11151 Hole Liner.
 31. D-4806 Top Arch. (With "D" & "8-9" Pos.)
 32. D-13647 Card Holder.
 33. C-9767 Ball Gate.
- C-11561 White Plastic Post 1" High. (29)

